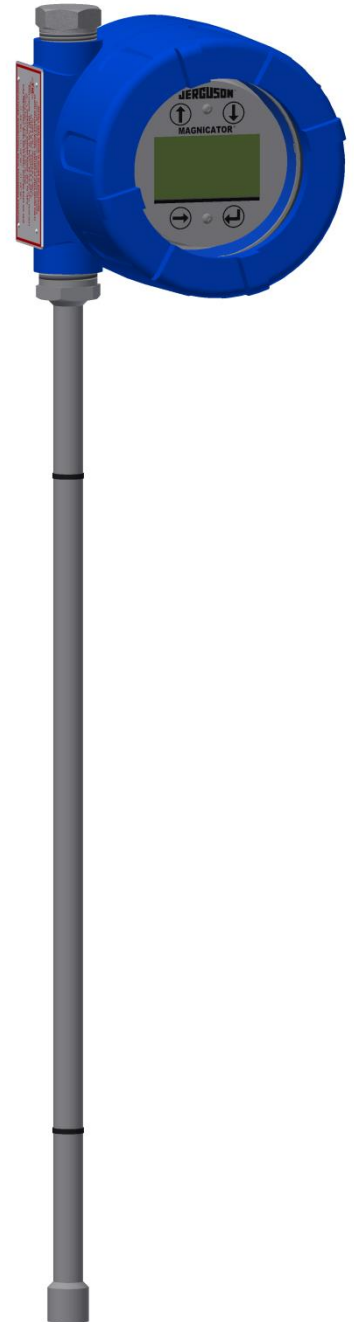


MTII 4300™

Magnetostrictive Transmitter

- 4-20 mA loop powered ; 10.5 to 28 VDC
- Sensing lengths from 6 inches to 228 inches (15 cm to 6 meters).
- Continuous level measurement with repeatability to .001% F.S. or 0.015 in.
- HART 7 protocol communications standard
- SIL2 Available
- FM approved for use in hazardous locations:
 - Class I Division 1 Groups B,C& D
 - Class II Division 1 Groups E,F, & G
- CFM, ATEX, IECEx available; Contact Factory
- NEMA 4X Enclosure Standard – 316SS optional
- Easily mounts to Magnicator without removing vessel from service - No contact with fluid
- Multi-tiered Menu accessible via magnetic stylus through window – No need to remove cover!
- Reverse polarity protection (series diode)
- Lightning / Transient protection:
 - Line-to-ground surge suppression; EN 61000-4-5
 - Line-to-line and line-to-ground transient suppressors; EN 61000-4-4



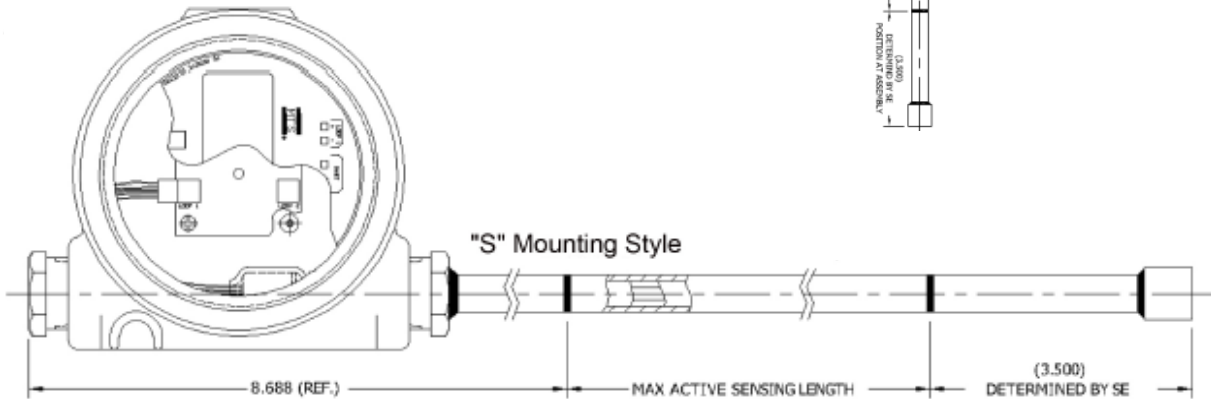
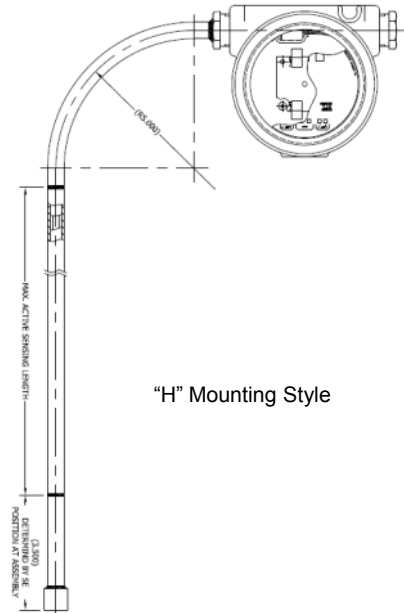
MTII4300 Magnetostrictive Transmitter

See M500.31 for complete specifications, installation, & operating instructions

MODEL NUMBER DESIGNATION
MTII4300-#

MODEL:
COMM OPTION:
H= HART
S= SIL2 W/HART
HOUSING:
A= ALUMINUM w/ WINDOW (STD.)
S= STAINLESS STEEL w/ WINDOW
TRANSMITTER ORIENTATION:
A= TOP LEFT HAND (STD.)
B= TOP RIGHT HAND
C= BOTTOM RIGHT HAND
D= BOTTOM LEFT HAND
LCD DISPLAY:
M= mA OUTPUT (DEFAULT)
I= INCHES
P= PERCENT
B= MILLIMETERS
C= CENTIMETERS
D= METERS
E= FEET

AGENCY APPROVAL:
F= FM, CL I DIV1, GRP B,C,D, T6
ACTIVE SENSING LENGTH:
IN INCHES
MAX SENSING LENGTH:
IN INCHES, ON 6 INCH INCREMENTS
MOUNTING STYLE:
S= STRAIGHT (STD.)
H= HIGH TEMP EXTENDED
ALARM SETTING:
L= 3.6 mA (DEFAULT)
H= 20.5 mA



GENERAL SPECIFICATIONS

Sensor Length	6"-228" (152mm-5791mm) for "S" Mounting Style 6"-144" (152mm-3657mm) for "H" Mounting Style
Area Classification	FMRC Class I Division 1 Groups B,C, & D
Wiring	2 wire shielded twisted pair, 24AWG min - 14AWG max
Conduit Connection	3/4" FNPT
Wiring Connection	Screw Terminal
Input Power	10.5-28VDC

OUTPUT

Fail Safe	3.5 (Default, Low), 22.8 (High)
Repeatability	.01% F.S. or 0.15 in. whichever is greater
Temperature Sensitivity	Zero: <.005% per C (.003% per F) Module -30F to 160F (-34C to -71C)
Operating Temperature	Sensing Element -40F to 257F (-40C to 125C) Electronics -40F to 160F (-40C to 71C)
Recommended Product Temperature	- 30F to 450F (-34C to 232C) Standard 650F (343C) High Temp Extended
Calibration	1-pt calibration (transmitter must have valid level at time of calibration) Field adjustable zero and span settings

