

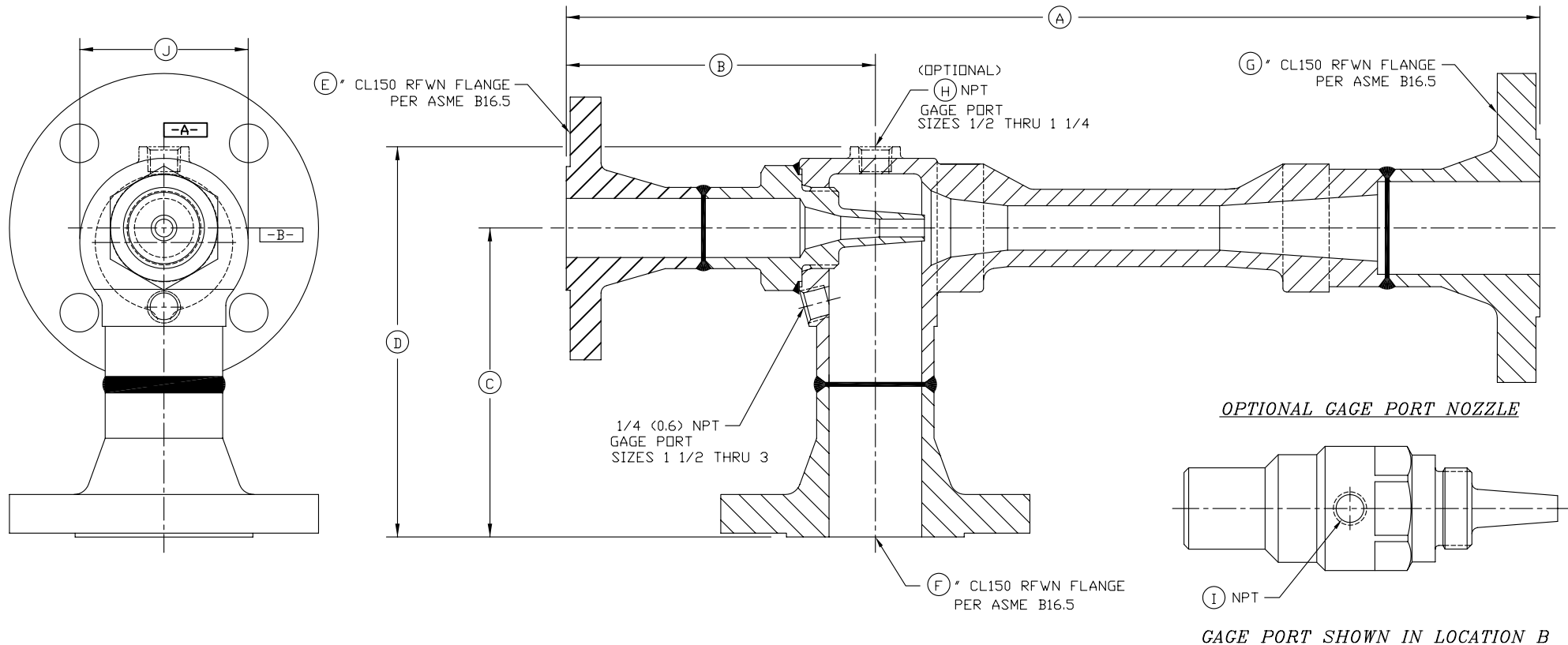
MATERIAL: SEE B/M
 DRAWN: FWK CHECKED:
 SCALE: NONE DATE: 04/16/08

CLARK-RELIANCE CORP.
 STRONGSVILLE, OHIO, U.S.A.

ASSEMBLY EDUCATORS
 STANDARD WN FLANGE CONNECTIONS

Section: E400
 Bulletin: E400.02
 Date: 4/16/08
 Supersedes: NEW

FILE NO.: E400-02.DWG



STANDARD CAST UNIT

MODEL	SIZE	INCHES (mm)										NOZZLE GAGE PORT ANGULAR LOCATION		
		A		B		C	D	E	F	G	H		I	J
		W/STANDARD NOZZLE	W/GAGE PORT NOZZLE	W/STANDARD NOZZLE	W/GAGE PORT NOZZLE									
SL	1/2	8.375 (212.7)	9.875 (250.8)	3.562 (90.4)	5.062 (128.5)	3.188 (81.0)	3.938 (100.0)	1/2 (12.7)	1/2 (12.7)	1/2 (12.7)	1/8 (3.1)	1/8 (3.1)	1.250 (31.8)	B
ML,HL,SG,HG,MLH,MLE								1/2 (12.7)						
SL	3/4	9.938 (252.4)	11.938 (303.2)	3.938 (100.0)	5.688 (144.4)	3.625 (92.0)	4.500 (114.3)	1/2 (12.7)	3/4 (19.0)	3/4 (19.0)	1/4 (6.3)	1/8 (3.1)	1.500 (38.1)	B
ML,HL,SG,HG,MLH,MLE								1/2 (12.7)						
SL	1	11.312 (287.3)	13.312 (338.1)	4.188 (106.3)	6.188 (157.1)	4.000 (101.6)	5.000 (127.0)	1/2 (12.7)	1 (25.4)	1 (25.4)	1/4 (6.3)	1/8 (3.1) *	1.750 (44.4)	B
ML,HL,SG,HG,MLH,MLE								3/4 (19.0)						
SL	1 1/4	13.438 (341.3)	15.688 (398.4)	4.625 (117.4)	6.875 (174.6)	4.562 (115.9)	5.688 (144.4)	3/4 (19.0)	1 1/4 (31.8)	1 1/4 (31.8)	1/4 (6.3)	1/4 (6.3) *	2.250 (57.1)	B
ML,HL,SG,HG,MLH,MLE								1 (25.4)						
SL	1 1/2	15.750 (400.0)	18.250 (463.6)	5.000 (127.0)	7.500 (190.5)	5.000 (127.0)	6.188 (157.1)	1 (25.4)	1 1/2 (38.1)	1 1/2 (38.1)	-	1/4 (6.3) *	2.750 (69.9)	A
ML,HL,SG,HG,MLH,MLE								1 1/4 (31.8)						
SL	2	19.250 (488.9)	22.250 (565.1)	5.438 (138.1)	8.438 (214.3)	5.562 (141.2)	7.000 (177.8)	1 1/4 (31.8)	2 (50.8)	2 (50.8)	-	1/4 (6.3) *	3.562 (90.4)	A
ML,HL,SG,HG,MLH,MLE								1 1/2 (38.1)						
SL	2 1/2	23.438 (595.3)	26.938 (684.2)	6.000 (152.4)	9.500 (241.3)	6.938 (176.2)	8.812 (223.8)	1 1/2 (38.1)	2 1/2 (63.5)	2 1/2 (63.5)	-	1/4 (6.3) *	4.750 (120.7)	A
ML,HL,SG,HG,MLH,MLE								2 (50.8)						
SL,ML,HL,SG,HG,MLH,ULJ,MLE	3	29.250 (742.9)	33.250 (844.6)	6.562 (166.7)	10.562 (268.2)	7.812 (198.4)	10.125 (257.1)	2 (50.8)	3 (76.2)	3 (76.2)	-	1/4 (6.3) *	6.062 (154.0)	A

* ULJ IS 1/8