



Specialists in Liquid Level Indication

**Jerguson SafeView
INSTALLATION, OPERATING &
MAINTENANCE
INSTRUCTIONS**

Section:	J500
Bulletin:	J500.34
Date:	03-04-13
Supersedes:	NEW

**Jerguson SafeView
Installation and Operation Manual**



STORAGE and HANDLING

The Jerguson SafeView meets or exceeds all applicable specifications when shipped from the factory. All units should be inspected upon receipt to ensure that no damage has been incurred during transit and that all components are present. If damage is observed on the exterior of the package/crate, a claim should be filed with the freight carrier immediately. Any damage observed to the product should be reported to the factory immediately. Units should be stored in an area protected from the elements and corrosive fumes, in a secure manner where they can neither fall, nor be struck by other objects. Care should be taken to protect the front face of the shield, to avoid denting or scratching of the viewing area.

COMPONENTS

The components to the Jerguson SafeView are illustrated below. Items 1 (shield), 4 (model tag), and 5 (mounting bracket) are all pre-assembled by Jerguson. Items 2 (mounting cable) and 3 (cable adjuster, or “grippler”) comprise the adjustable cable assembly for installation and are shipped loose.

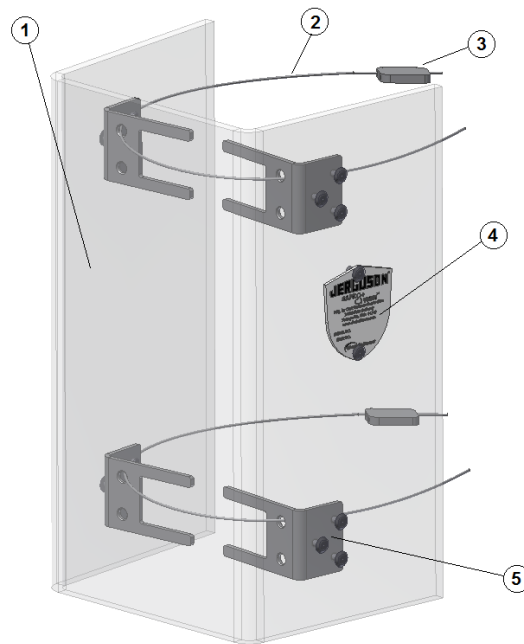


Figure 1

INSTALLATION

The only tool required for installation of this product is a pair of wire cutters for disassembly and maintenance.

Step 1: Feed the wire cable through the guide holes in the upper and lower brackets, respectively, as shown above in Figure 1. (Either set set of holes may be used for installation of the cable.)



Figure 2

Step 2: Feed one end of the wire cable through the oval hole as shown above in Figure 2. Repeat for the other wire cable.



Figure 3

Step 3: Press the shield firmly against the gage cover, aligning the bracket slots over the nuts as shown above in Figure 3. The brackets should align with the second set of bolts in from each end of the gage.



Figure 4



Figure 5

Step 4: Feed the loose end of one wire cable through the other side of the gripper and pull both ends tight as shown above in Figures 4 and 5.

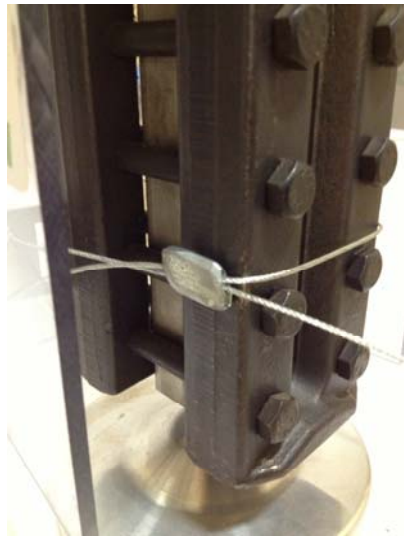


Figure 6

Step 5: Repeat Step 4 for the other wire cable. The shield brackets should be resting on the nuts and be secured against the gage cover. Check to make sure the wire cable is resting above or below the nuts and not directly across them.

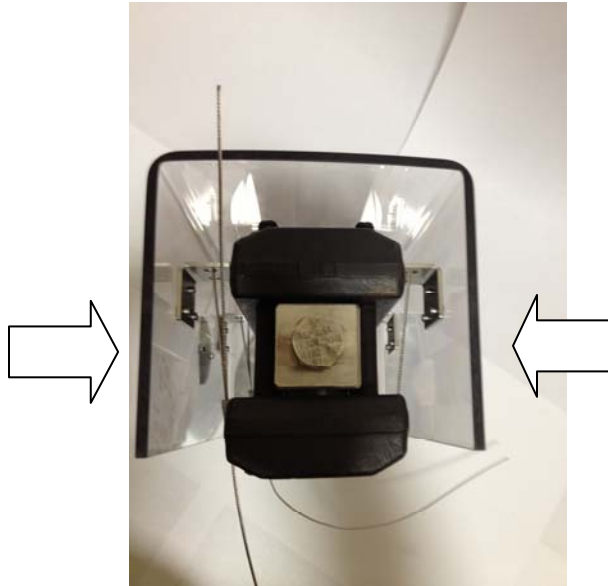


Figure 7



Figure 8

Step 6: Squeeze the sides of the shield slightly past 90 degrees and tighten any additional slack in both wire ropes, as shown above in Figures 7 and 8.



Figure 9

Step 7: The shield should now be very secure and installation is complete. If there is any excess length in the loose ends of the wire cable, either tuck them in along the side of the gage or trim them off with the wire cutters.

DISASSEMBLY and MAINTENANCE

To remove the shield from the gage, cut the wire cable with wire cutters. Pull the remainder of the wire cable through the gripples, discard, and save gripples for re-installation.

SPARE PARTS

Griple P/N: X175585 (each)

Cable P/N: V21671 (each)



16633 Foltz Parkway • Strongsville, Ohio 44149, U.S.A. • Telephone (440) 572-1500 • Fax (440) 238-8828
www.clark-reliance.com