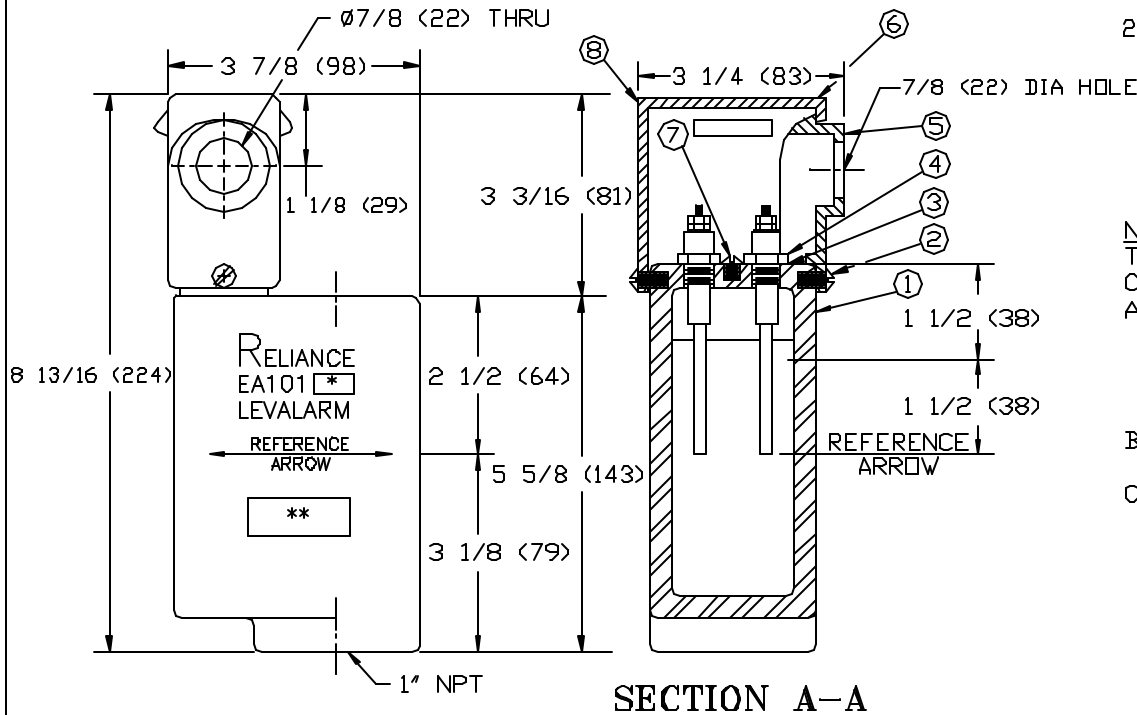
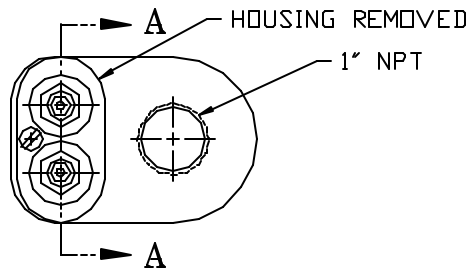


BILL OF MATERIAL

ITEM	P/N	QTY	DESCRIPTION	MAT'L	DWG NO
1	EA101S 1	1	BODY	CAST STEEL	A-13879
2	X172993	2	RD HD MACH SCREW 12-24X3/8	STEEL	
3		2	ELECTRODE FITTING GASKET		
4		2	ELECTRODE FITTING		
5	EA15R 22	1	CONDUIT BRACKET	ALUMINUM	B-8697
6	EA100 18	1	ELECTRODE FITTING HOUSING	ALUMINUM	B-8697
7	X172990	1	COMMON CONN. SCREW, 12-24X1/4	STEEL	
8	X174610	1	LEVALARM NAME PLATE	ALUMINUM	A-7863



NOTE:

- ITEMS 3 AND 4, PROBES AND GASKETS:
1. FOR STEAM SERVICE FORM 451 TO 1000 WSP FURNISH EA15-5V ELECTRODE FITTING AND X175500 GASKET
 2. FOR STEAM SERVICE FORM 1001 TO 1800 WSP FURNISH EA15-5Z ELECTRODE FITTING AND E10-10S GASKET

NOTE ON APPLICATION:

THIS EA101 LEVALARM CAN BE USED FOR THE FOLLOWING CONTROL AND ALARM FUNCTIONS:

- A. WITH ONE PROBE AND ONE RELAY, EITHER:
1. HIGH ALARM
 2. LOW ALARM
 3. FUEL CUTOFF
 4. LOW ALARM AND FUEL CUTOFF (SAME LEVEL)
- B. WITH TWO PROBES AND ONE RELAY
1. PUMP CONTROL (FOR LEVEL DIFFERENTIALS UP TO 3")
- C. WITH TWO PROBES AND TWO RELAYS, EITHER:
1. DUAL FUEL CUTOFF
 2. LOW ALARM AND FUEL CUTOFF (DIFFERENT LEVELS)

NOTE ON LETTERING:

- * STAMP "S" ON CAST STEEL BODY (EA101S LEVALARM)
- ** PRESSURE BLOCK TO BE STAMPED:
- 1800 PSI (FOR TANK SERVICE, USING EA15-5T ELECTRODES)
- 450 WSP (FOR STEAM SERVICE, USING EA15-5V ELECTRODES)
- 1000 WSP (FOR STEAM SERVICE, USING EA15-5V ELECTRODES)
- 1800 WSP (FOR STEAM SERVICE, USING EA15-5Z ELECTRODES)

LOCATE PROBE LEVELS
WITH RESPECT TO
REFERENCE ARROW

HYDROTEST: 2700 PSI

MATERIAL: SEE TABLE	CLARK-RELIANCE CORP. STRONGSVILLE, OHIO, U.S.A.	EA101S LEVALARM ASSEMBLY	DRAWING NUMBER:	REV.
DRAWN: BSL CHECKED:			B-9567	
SCALE: NONE DATE: 9/29/95	PART NO.: EA101S	TOLERANCE CLASS: N/A		
REV. 6 PER CDC 95-127/BSL				