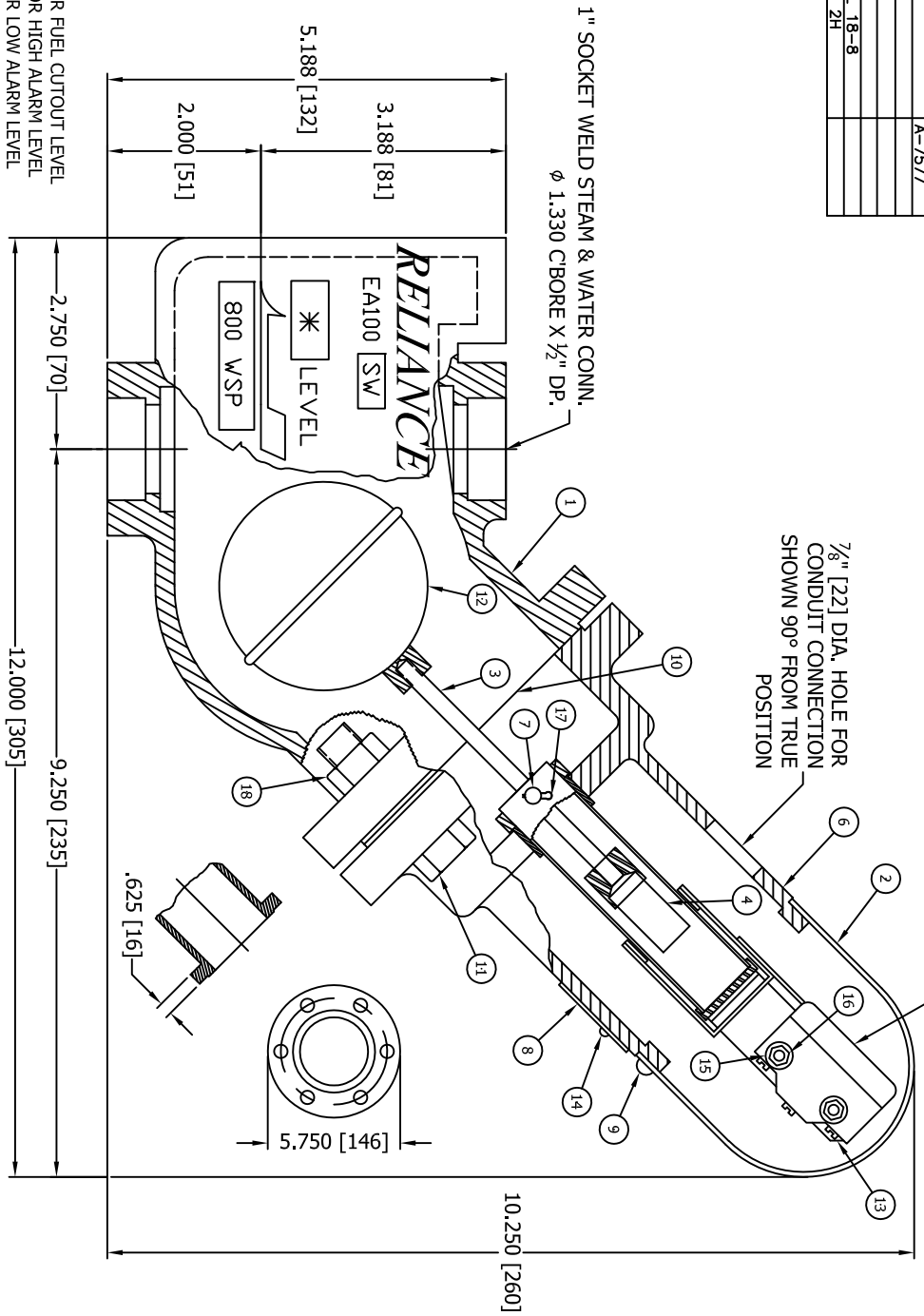
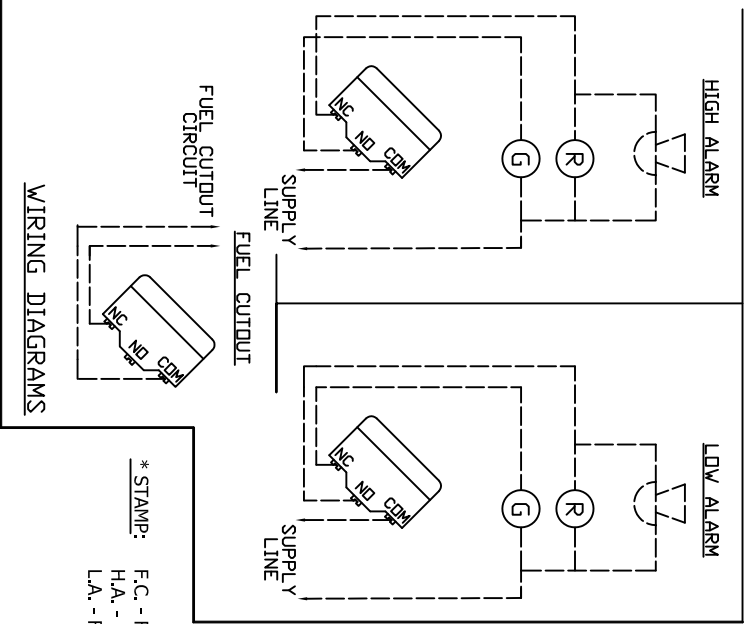


ITEM	QTY.	DESCRIPTION	PART NO.	MAT'L SPEC	DWG. NO.
1	1	BODY	EA100S-2	CAST STEEL A216 GR. WCB	B-11878
2	1	SWITCH COVER	EA100-23	MONEL B127-58	B-8838
3	1	CONNECTOR ROD ASSEMBLY	EA100-12	STAINLESS STEEL 18-8	B-8838
4	1	MAGNET ASSEMBLY	EA100-13	ALNICO V NICKEL PLATED	B-8838
5	1	SWITCH ASSEMBLY	EA100-14X	CAST STEEL A216 GR. WCB	B-8838
6	1	SWITCH HOUSING ASSEMBLY	EA100S-27S	EA100-21	A-15770
7	1	LEVER PIN	EA100-17	STAINLESS STEEL 18-8	B-8838
8	1	NAME PLATE	EA100-10	ALUMINUM	B-25-39
9	1	RHMS 10 - 32 X 3/8	X178710	1808 SS	A-6534
10	1	GASKET	C1-3	STEEL	A-6534
11	6	CAP BOLT 1/2 - 13 X 2	X172372	STEEL A193 GR. B-7	A-7577
12	1	FLOAT	F3S	STAINLESS STEEL A240 TP304	A-7577
13	1	SWITCH INSULATOR	EA6-15	FIBRE	A-7577
14	2	METALLIC DRIVE SCREW U4 X 3/4	X173260	STEEL	
15	2	SHAKEPROOF #6 LOCK WASHER	X174280	STEEL	
16	2	R.H. SCREW & NUT 6 - 32 X 1	X172860	BRASS	
17	2	COUNTER PIN 1/2 X 1/2	X171700	STAINLESS STEEL 18-8	
18	6	HEAVY HEX NUT 1/2 - 13	X171501	STEEL A194 GR. 2H	

NOTES: MICRO SWITCH, TYPE BZ-2RW82444-A2
 UNDERWRITER APPROVED FOR THE
 FOLLOWING RATINGS:
 5A-125, 250, OR 480 VAC
 1/4-125 VDC
 1/4A-250 VDC



REV	DATE	CHANGE	SRM	BY
12	03/15/2013	X178710 WAS X172910: PER CDC 13-092		

CLARK-RELIANCE®

REA100SW LEVALARM ASSEMBLY

MANUFACTURED BY
Clark-Reliance®
 16633 FOLTZ PARKWAY
 STRONGSVILLE, OH 44149 USA
 PH: 440-572-1500
 WEB: www.clarkreliance.com

PART NUMBER: REA100SW
 TOLERANCE CLASS (PER PES-004):
 MATERIAL:
 REVISION: REDRAWN, NO CHANGE
 DRAWN: CG
 CHECKED:
 DATE: 9/13/10
 DRAWING NO.: B-9554
 REV.: 12

HYDROSTATIC TEST: 1200 P.S.I.
 STATIONARY SERVICE RATING: 800 P.S.I. AT 520°F (MAX PRESSURE)