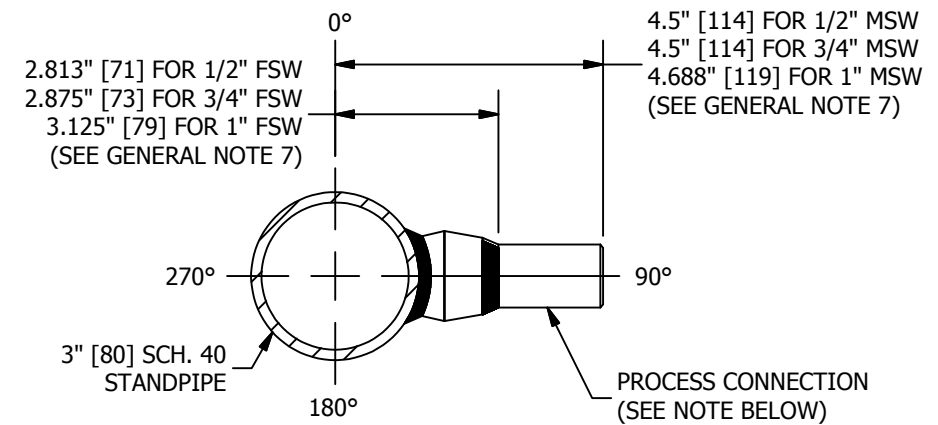
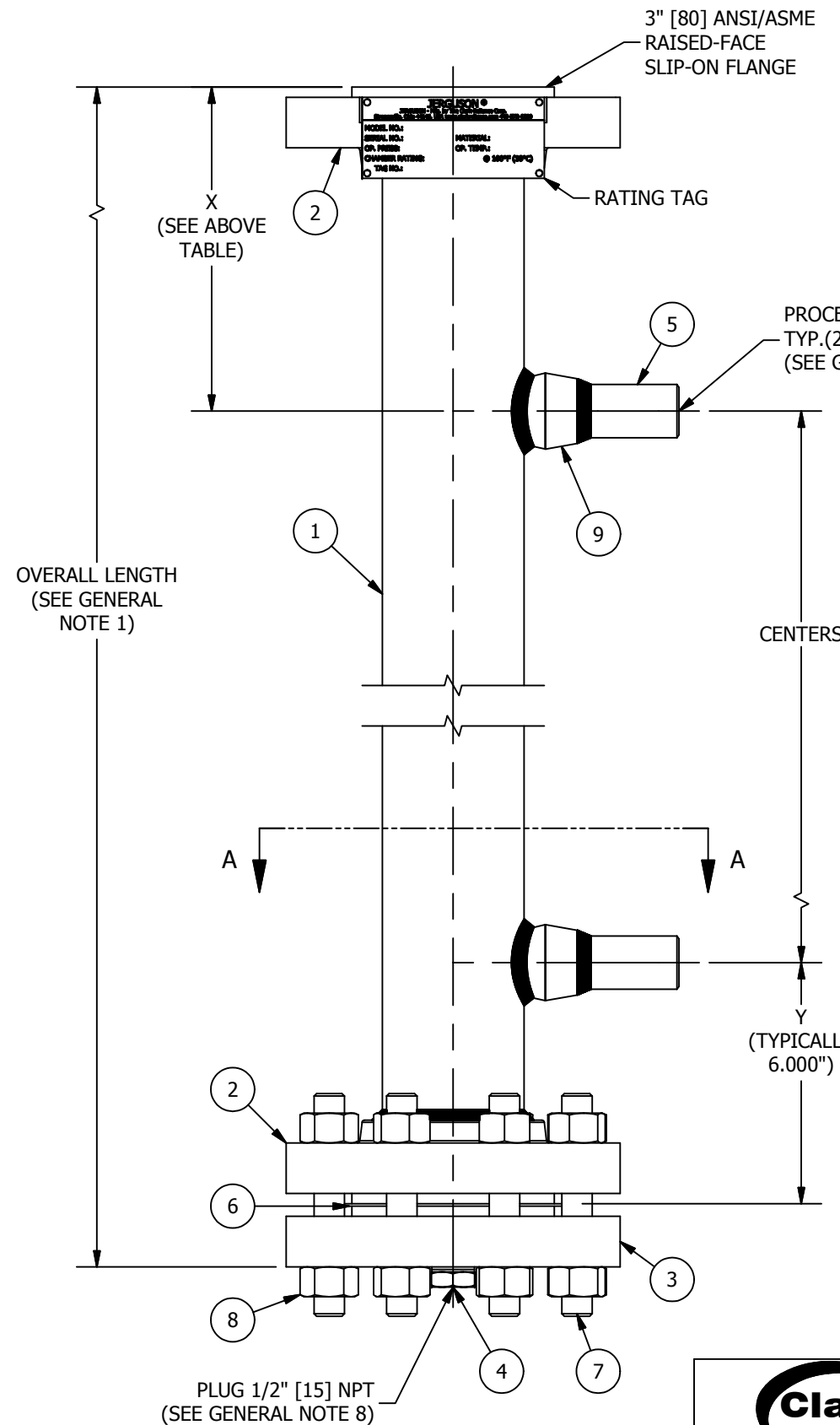


**GENERAL NOTES:**

1. DIMENSIONS
  - SHOWN IN INCHES W/ MM EQUIVALENTS IN BRACKETS
  - OVERALL LENGTH = CENTERS + X + Y + MATING FLANGE THICKNESS + .125" [3]
2. OPERATING CONDITIONS
  - MAX PRESSURE & MAX TEMPERATURE REQUIRED FOR PROPER GAGE DESIGN
3. PART NUMBER
  - CONSULT "MAGNICATOR® II MAGNETIC LIQUID LEVEL INDICATION PRODUCTS" (BULLETIN M100.01) FOR COMPLETE PART NUMBER DETAILS & LIST OF AVAILABLE OPTIONS
  - FOLLOW MAGNICATOR® II PART NUMBERING FORMAT, REPLACING "MII" WITH "BPC" AND FILLING IN ALL OTHER APPLICABLE INFORMATION
4. STANDPIPE SIZE
  - 3" [80] SCH. 40 (STANDARD)
  - CONSULT FACTORY FOR OPTIONAL STANDPIPE SIZE AND/OR SCHEDULE (DEPENDENT ON OPERATING CONDITIONS)
5. MATERIALS OF CONSTRUCTION
  - CONSULT "MAGNICATOR® II MAGNETIC LIQUID LEVEL INDICATION PRODUCTS" (BULLETIN M100.01) FOR A COMPLETE LIST OF AVAILABLE MATERIALS (I.E., BYPASS CHAMBERS AVAILABLE IN SAME MATERIALS AS MAGNICATOR® II)
6. GASKET MATERIALS
  - GARLOCK IFG5500 (MAX TEMPERATURE ≤ 550°F) (STANDARD)
  - GRAFOIL® (MAX TEMPERATURE > 550°F) (STANDARD)
  - CONSULT FACTORY FOR OPTIONAL GASKET MATERIALS
7. PROCESS CONNECTIONS
  - 1/2" [15] THRU 1" [25] FSW & MSW (STANDARD)
  - 1 1/2" [40] THRU 6" [150] FSW & MSW AVAILABLE ON REQUEST (REQUIRE FITTINGS THAT INCREASE SECTION A-A DIMENSION SHOWN)
  - (2) SIDE CONNECTIONS (STANDARD)
  - (2+) SIDE CONNECTIONS AVAILABLE ON REQUEST
8. DRAIN CONNECTION
  - 1/2" [15] FNPT (SHOWN) (STANDARD)
  - 1/2" [15] THRU 1 1/2" [40] FNPT, MNPT, FSW, & MSW
  - 1/2" [15] TO 4" [100] RAISED-FACE ANSI/ASME & DIN FLANGED
9. GUIDED WAVE RADAR (GWR) TRANSMITTER
  - WHEN SUPPLIED W/ A GWR TRANSMITTER, THE GWR PROBE LENGTH WILL EXTEND 2" BELOW THE BOTTOM PROCESS CONNECTION
  - TOTAL PROBE LENGTH = CENTERS + 2" + X DIMENSION (SEE TABLE AT TOP OF DRAWING)

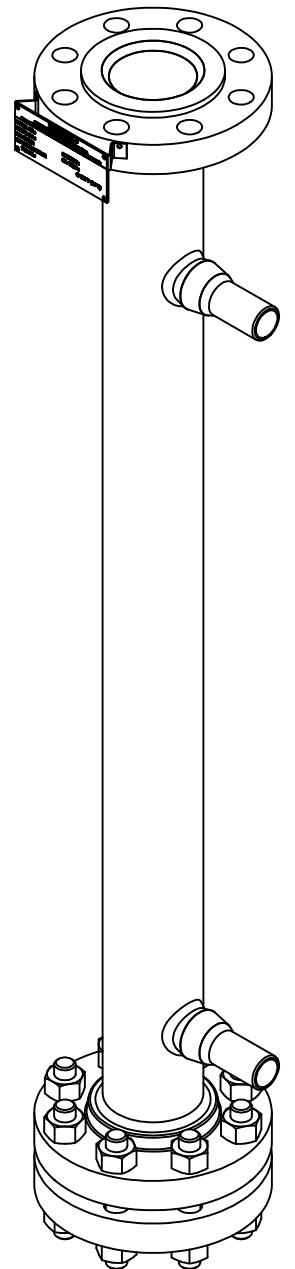
OPTION	X
W/O STEAM COMPENSATION	8.000"
W/ STEAM COMPENSATION	18.000"

BILL OF MATERIAL			
NO.	NAME OF PART	MATERIAL	REMARKS
1	STANDPIPE		
2	FLANGE, SLIP-ON		
3	FLANGE, THREADED		
4	PLUG		
5	PROCESS CONNECTION		
6	GASKET		
7	STUD		
8	HEAVY HEX NUT		
9	PIPET		



NOTE: AS STANDARD, PROCESS CONNECTIONS WILL BE ORIENTED AT 0° (180° FROM RATING TAG). THEY ARE SHOWN IN THIS DRAWING AT 90° FOR EASE OF VIEWING.

OPERATING CONDITIONS	
MAX PRESSURE	
MAX TEMPERATURE	
PROCESS FLUID	



MANUFACTURED BY  
**Clark-Reliance®**  
 16633 FOLTZ PARKWAY  
 STRONGSVILLE, OH 44149 USA  
 (440) 572-1500 | www.clarkreliance.com  
 © Clark-Reliance® Corporation. All Rights Reserved.

**JERGUSON®**  
 MODEL BPC-ESW  
 BYPASS CHAMBER  
 (W/ 600-2500# ANSI/ASME FLANGES)

DRAWN: SSF	REV.:
CHECKED: MK	
DATE: 4/14/2014	
REVISION: 0	
DRAWING NO.: BPC-ESW6	REV.: 0