



JACOBY-TARBOX®

Products Manufactured by the Clark-Reliance Corporation
16633 Faltz Parkway
Strongsville, OH 44148 USA
PH: +1(440)-572-1500
WEB: www.clarkreliance.com

PHAETON® SL SIGHT LIGHT

Section: T400
Bulletin: T400.113
Date: 02/02/11
Supersedes: NEW

DRAWN: FWK | DATE: 02/02/11 | SCALE: NONE | FILE: T400-113.DWG

HOW TO SPECIFY ⁽¹⁾ THE PHAETON® SL BY PART NUMBER

NOTE:

EXAMPLE IS A PHAETON® SL WITH ANODIZED ALUMINUM LIGHT BODY, 120 VAC POWER SUPPLY WITH 8' OF CONNECTING CORDS AND STANDARD BRAIDED MOUNTING SET.

TIK-PH-SL-L-01-01

MATERIAL CODE

L = ALUMINUM LIGHT BODY
S = STAINLESS LIGHT BODY

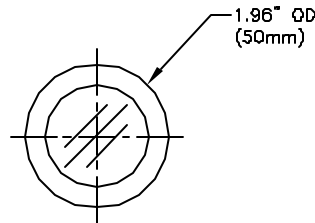
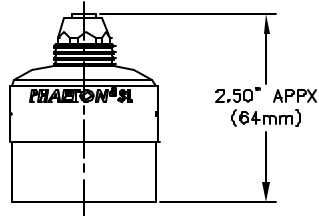
POWER SUPPLY

01 = 120 VAC
02 = 240 VAC

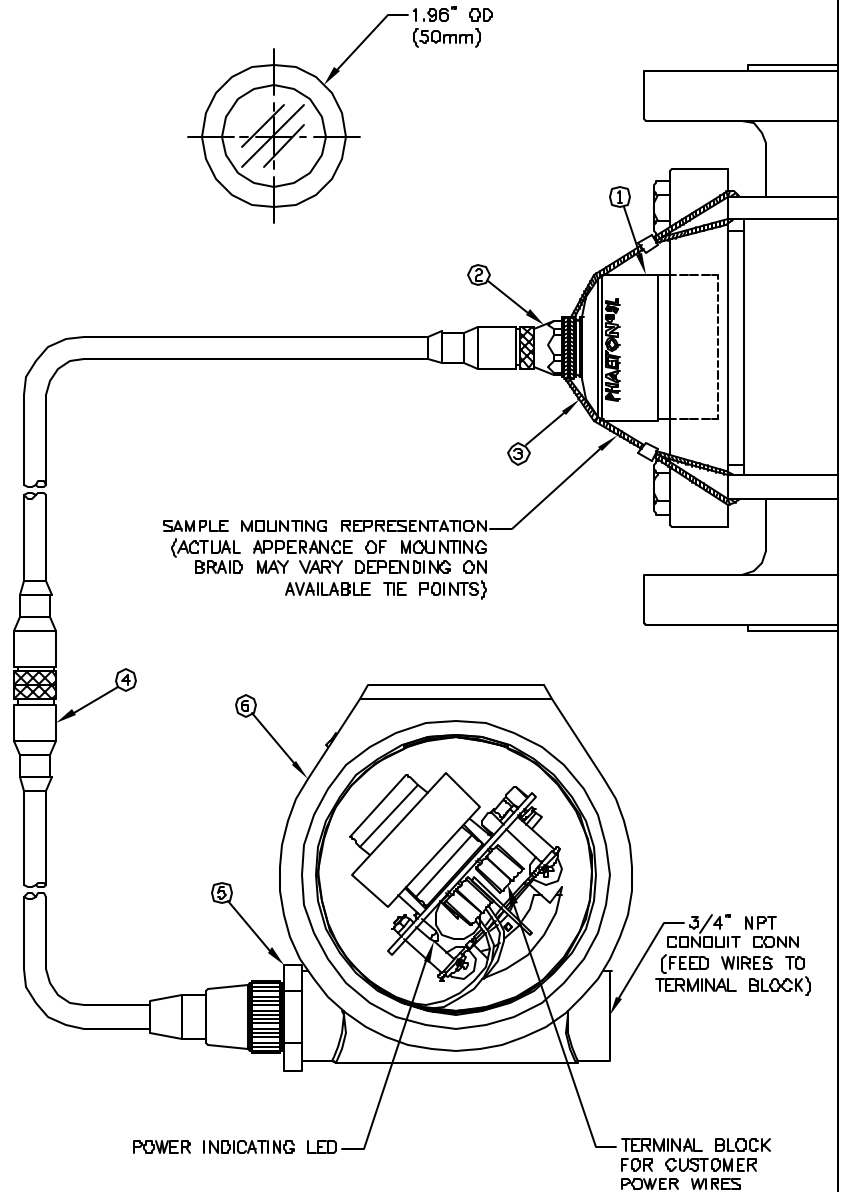
TOTAL CORD LENGTH

01 = 8'/2.5M (STANDARD)
02 = 24'/7.5M
03 = 40'/12.5M
04 = 56'/17.5M
05 = 72'/22.5M

THIS DRAWING AND ALL INFORMATION ON IT IS THE PROPERTY OF THE CLARK-RELIANCE CORPORATION. IT IS CONFIDENTIAL AND IS GIVEN TO YOU FOR A LIMITED PURPOSE AND MUST BE RETURNED UPON REQUEST. NEITHER THIS DRAWING NOR ANY PART OF IT NOR ANY INFORMATION CONCERNING IT MAY BE COPIED, EXHIBITED OR FURNISHED TO OTHERS NOR MAY PHOTOGRAPHS BE TAKEN OF ANY ARTICLE FABRICATED OR ASSEMBLED FROM THIS DRAWING WITHOUT CONSENT OF THE CLARK-RELIANCE CORPORATION.



ITEM	NAME OF PART	QTY.	MATERIAL (STANDARD)
1	LIGHT HOUSING	1	ANODIZED ALUMINUM
2	FEMALE RECEPTACLE	1	NICKEL PLATED ALLOY
3	BRAIDED MOUNTING SET	1	ALLOY STL. & ALUMINUM
4	CORSET	1	PVC COATED SHIELDED CABLE
5	EXP. PROOF RECEPTACLE	1	STAINLESS STEEL
6	ENCLOSURE	1	EPOXY COATED ALUMINUM



PHAETON® SL SPECIFICATIONS

POWER SUPPLY INPUT: 120 OR 240 VAC @ 50/60 Hz

POWER CONSUMPTION: <.750 Amp @ 120 VAC
<.375 Amp @ 240 VAC

ESTIMATED LIFE: 100,000 HOURS (CONTINUOUS)

ELECTRICAL CONNECTION: 3/4" NPT (FEMALE)

WIRE SIZE: MIN. 18 AWG / MAX. 12 AWG

MAX. DISTANCE FROM
POWER SUPPLY TO LIGHT: 72' (22.5M)

AMBIENT TEMP.: -40°F (-40°C) TO 170°F (77°C)

AGENCY

APPROVALS: FM, CSA

CLASS I, DIV. 1, GROUPS B, C, D, T4
CLASS II, DIV. 1, GROUPS E, F, G, T4
INTRINSICALLY SAFE OUTPUT



APPROVED



{1}IMPORTANT:

PLANT SAFETY ENGINEER IS RESPONSIBLE FOR DETERMINING SUITABILITY OF THE UNIT IN ANY PARTICULAR HAZARDOUS LOCATION. JACOBY-TARBOX IS A REGISTERED TRADEMARK OF THE CLARK-RELIANCE CORP.