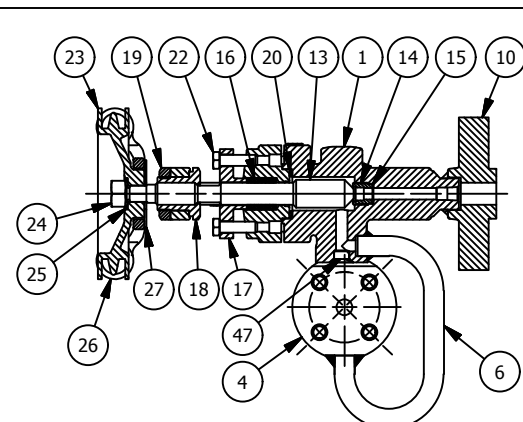
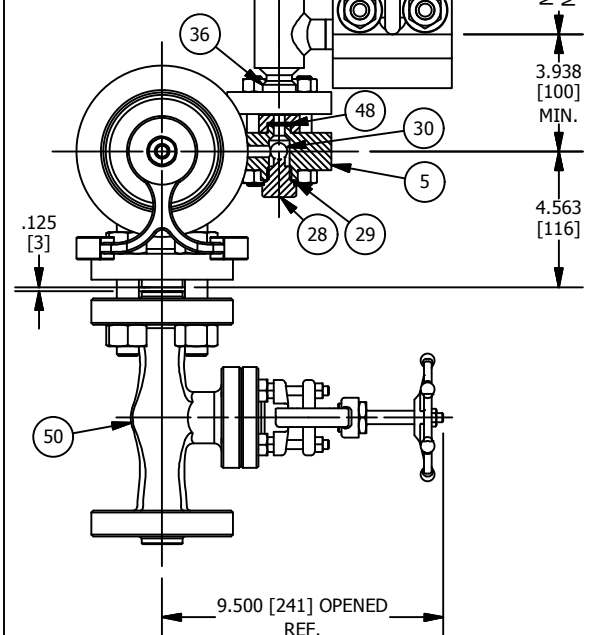
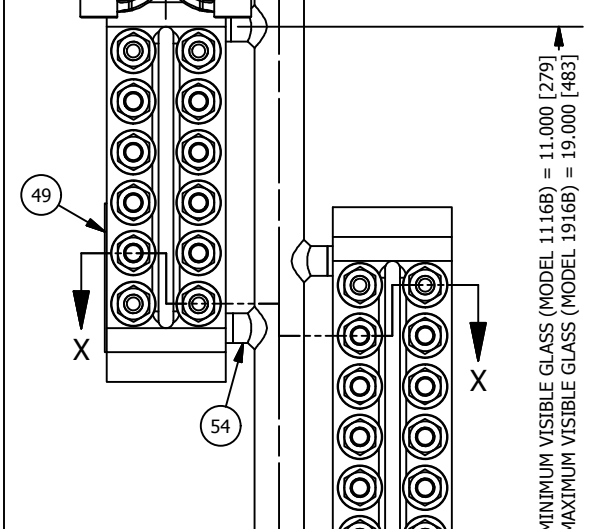
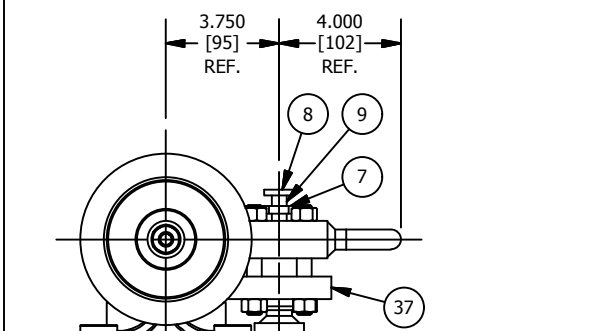
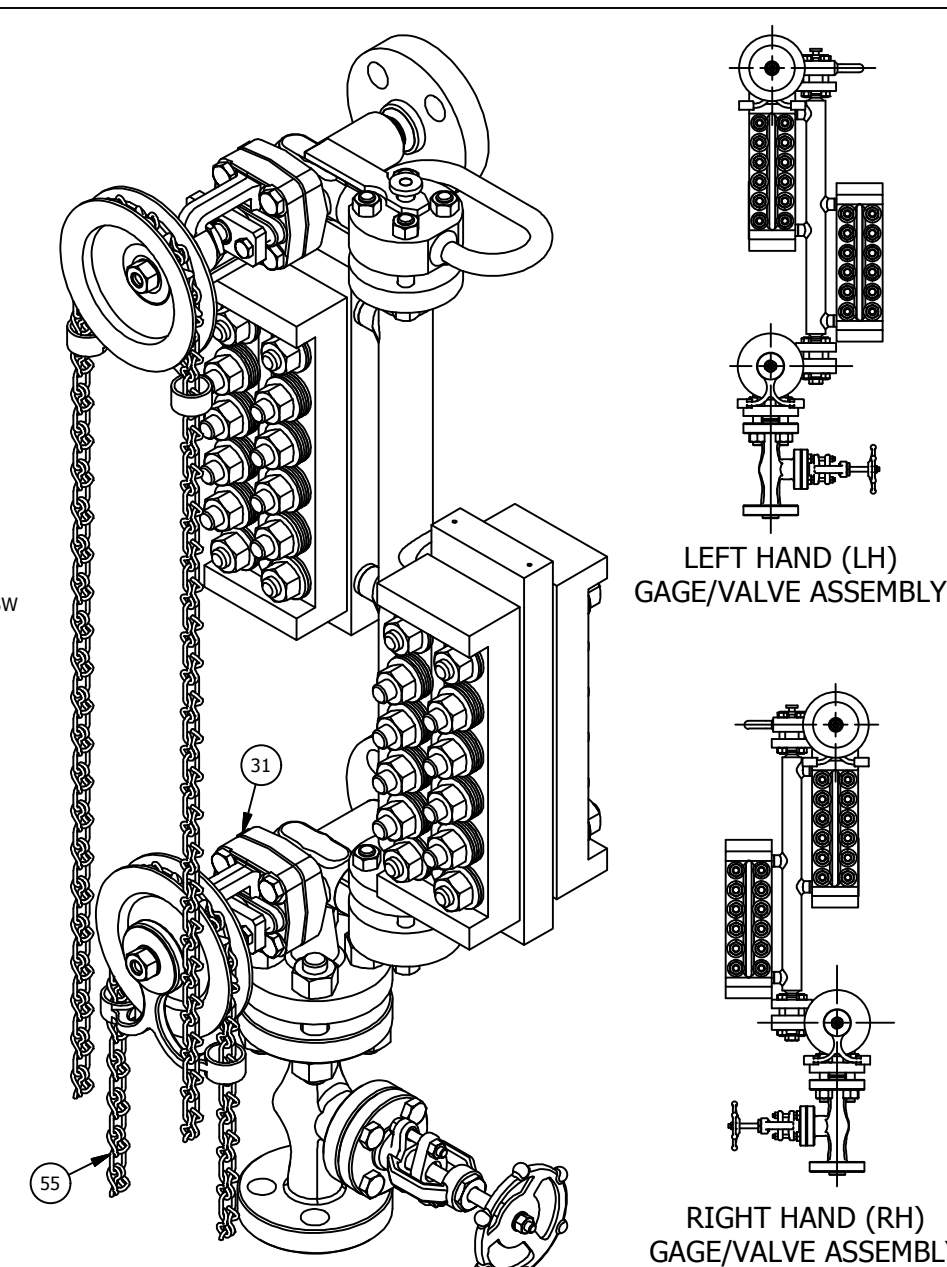
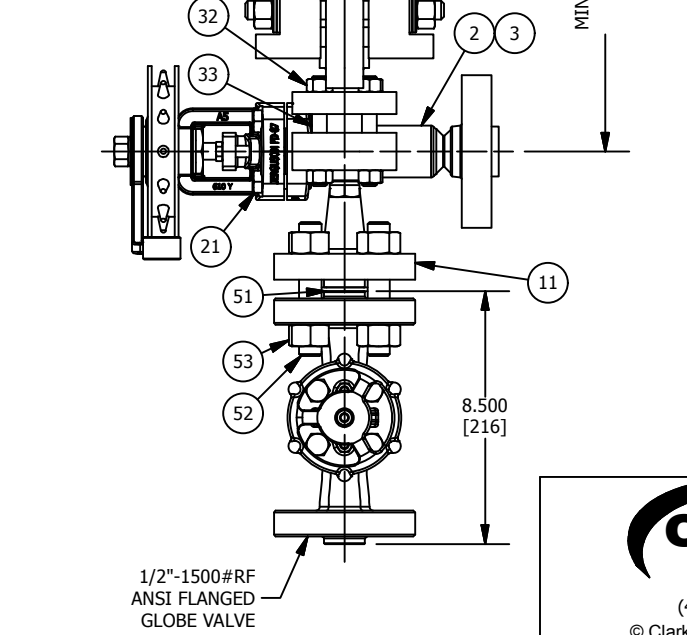
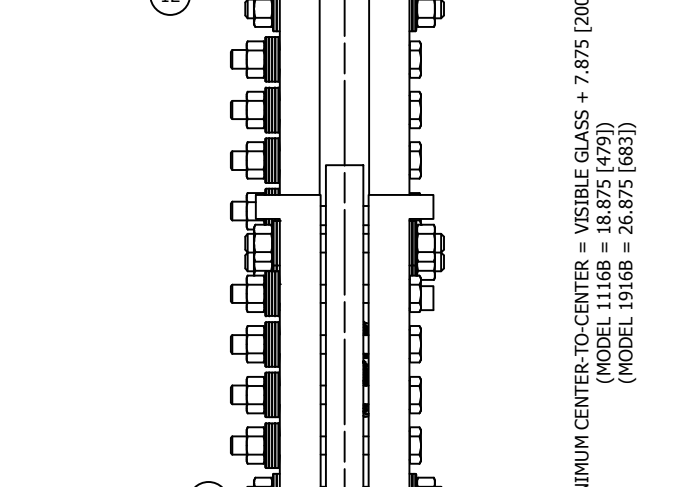
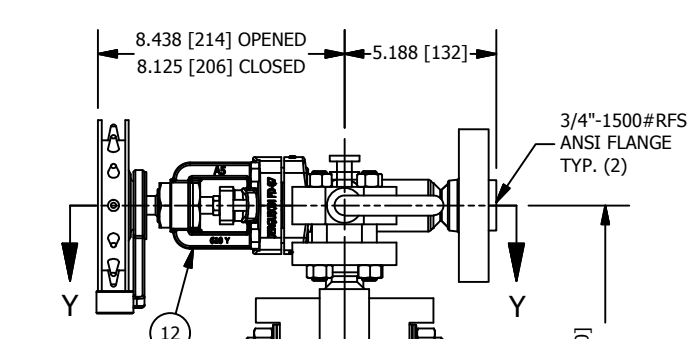


SECTION X-X



SECTION Y-Y

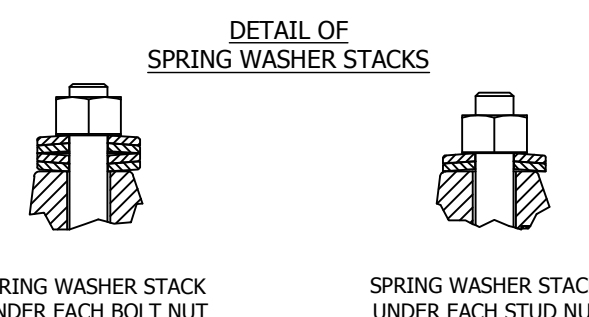


LEFT HAND (LH) GAGE/VALVE ASSEMBLY

RIGHT HAND (RH) GAGE/VALVE ASSEMBLY

- NOTES:
- TO ORDER, SPECIFY:
 - "SG-XX16B" WHERE "XX" = 11 TO 19 = VISIBLE RANGE ROUNDED TO THE NEAREST INCH
 - "SG" PREFIX = COMPLETE ASSEMBLY = GAGE, VALVE SET AND DRAIN VALVE
 - FOR GAGE ONLY, OMIT "SG" AND SPECIFY "XX16B" (SEE ABOVE EXPLANATION OF "XX") AND EXISTING VALVE CENTERS
 - VALVE SET MODEL
 - *7325B-4" (3/4"-1500#RFSW TANK CONNS.)
 - OPTIONAL TANK CONNS. AVAILABLE ON REQUEST
 - 7325B-4 WILL BE SUPPLIED IF VALVE SET MODEL OR OPTIONAL TANK CONNS. ARE OMITTED
 - VALVE CENTER-TO-CENTER
 - LEFT HAND (LH) OR RIGHT HAND (RH) GAGE/VALVE ASSEMBLY
 - LH IF OMITTED
 - VALVE HANDCHAIN SUPPLIED (HOT GALVANIZED LOCK LINK; TWO PIECES, 10 FEET LONG EACH)
 - GAGE HYDRO-TESTED @ 2400 PSI; VALVES HYDRO-TESTED @ 3750 PSI
 - WEIGHTS (APPROX.):
 - GAGE = 128#
 - TOP VALVE = 18#
 - BOTTOM VALVE = 23#
 - DRAIN VALVE = 15#
 - EQUIPMENT SHOWN MEETS ASME CODE AND ABS REGULATIONS

BILL OF MATERIAL					
NO.	NAME OF PART	QTY.	MATERIAL	PART NO.	SPECIFICATION
1	TOP VALVE BODY	1	CARBON STEEL	L1124 A5	A105
2	BOTTOM VALVE BODY RH	1	CARBON STEEL	L848 A5	A105
3	BOTTOM VALVE BODY LH	1	CARBON STEEL	L849 A5	A105
4	TOP GAGE CONNECTION	1	CARBON STEEL	V11313 B	A108
5	BOTTOM GAGE CONNECTION	1	CARBON STEEL	V11314 B	A108
6	EXPANSION LOOP	1	CARBON STEEL	V11310 A46	A106 GR.B
7	SUPPORT BRACKET	1	CARBON STEEL	V11311 A6	A36
8	WELDING CAP	1	CARBON STEEL	P3968 A6	A108 GR.C1018
9	PIN	1	CARBON STEEL	V11315 A6	A108 GR.C1018
10	3/4"-1500#RFSW FLG	2	CARBON STEEL	FA5 15 1 3D1P	A105
11	1/2"-1500#RF FLG	1	CARBON STEEL	V8946U A6	A108
12	YOKE	2	CARBON STEEL	L220 B	A105
13	VALVE STEM	2	416SS	V15889 U	QQ-S-763
14	VALVE SEAT	2	416SS TREATED	P343 U3	QQ-S-763
15	VALVE SEAT GASKET	2	CARBON STEEL	P33 1 A1	
16	PACKING	24	GRAPHITE	G264	
17	PACKING GLAND	2	CARBON STEEL	V18257 4 AL4	A36
18	BUSHING	2	BRASS	P5946 F4	B16 GR.360
19	BUSHING NUT	2	CARBON STEEL	P5665 A6	A108 GR.C1018
20	SPIRAL GASKET	2	316/CHLOROCARB	P5643 T	
21	CAP SCREW	8	CARBON STEEL	P6475 B71	A193 GR.B7
22	CAP SCREW	4	CARBON STEEL	P5729 B71	A193 GR.B7
23	SPROCKET RIM	2	ALUMINUM	V5237 E8	QQ-A-601
24	VALVE STEM NUT	2	CARBON STEEL	P1866 2HA	A194 GR.2H
25	SPACER WASHER	2	CARBON STEEL	P5457 A	
26	CHAIN GUIDE	2	ALUMINUM	PD247 2 E8	QQ-A-601
27	RETAINING WASHER	2	304SS	P4917 R	
28	BALL HOLDER	1	CARBON STEEL	V10627 A6	A108
29	BALL HOLDER GASKET	1	304SS/FLEXCARB	V9864	
30	BALL CHECK	1	316SS	P1 T2	QQ-S-763
31	NAME PLATE	2	BRASS	P6211 F	
32	NUT	16	CARBON STEEL	P235 2 2HA	A194 GR.2H
33	STUD	8	CARBON STEEL	P4008 3 B71	A193 GR.B7
34	CHAMBER	2	CARBON STEEL	V12366U A6	A108 GR.C1018
35	CENTER TUBE	1	CARBON STEEL	V14271 A46	A106 GR.B
36	FLANGED NIPPLE	2	CARBON STEEL	V14195 A6	A108 GR.C1018
37	LOOSE FLANGE	2	CARBON STEEL	V8382 A6	A108
38	GASKET	4	GRAFOIL	V13488 7	
39	SHIELD, MICA	4	MICA	P8092 7	
40	GLASS, TRANSPARENT	4	HP BOROSILICATE	V16758 7	
41	CUSHION	4	IFG5500	V19087 7	
42	COVER	4	CARBON STEEL	V12367 AL4	A115
43	STUD	8	CARBON STEEL	P3998 5 B71	A193 GR.B7
44	BOLT	16	CARBON STEEL	V20599 B71	A193 GR.B7
45	SPRING WASHER	96	SPRING STEEL	V15697 J1	
46	NUT	32	CARBON STEEL	P8366 2HA	A194 GR.2H
47	WELDING PLUG	1	CARBON STEEL	P7612 A6	A108 GR.C1018
48	SPIRAL GASKET	2	304/CHLOROCARB	P5198	
49	NAME PLATE	1	BRASS	P7566 F	
50	DRAIN VALVE	1	CARBON STEEL	A16775	
51	SPIRAL GASKET	1	316/FLEXICARB	P3958 TL	
52	STUD	4	CARBON STEEL	P4756 4 B71	A193 GR.B7
53	NUT	8	CARBON STEEL	P3596 2HA	A194 GR.2H
54	WELD NIPPLE	4	CARBON STEEL	V18234 A11	A36
55	HANDCHAIN	2	SEE NOTE 2	P3924	



SPRING WASHER STACK UNDER EACH BOLT NUT

SPRING WASHER STACK UNDER EACH STUD NUT

<p>MANUFACTURED BY</p> <p>16633 FOLTZ PARKWAY STRONGSVILLE, OH 44149 USA (440) 572-1500 www.clarkreliance.com © Clark-Reliance® Corporation. All Rights Reserved.</p>	<p>JERGUSON®</p> <p>#1116B THRU #1916B (2 SECTION) BOILER WATER GAGE/VALVE ASSEMBLY FOR 1600# W.S.P</p>	<p>PART NUMBER: SG1116B THRU SG1916B</p> <p>TOLERANCE CLASS (PER PES-004): C</p>		
		<p>MATERIAL:</p> <p>REVISION: 6 PER CDC 16-424/ZRR</p>		
		<p>DRAWN: ZRR</p> <p>CHECKED: MK</p> <p>DATE: 9/16/2016</p>	<p>DRAWING NO.:</p> <p>SG-1816B</p>	<p>REV.:</p> <p>6</p>