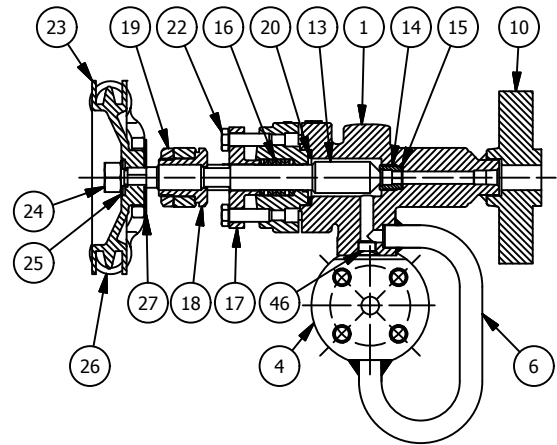
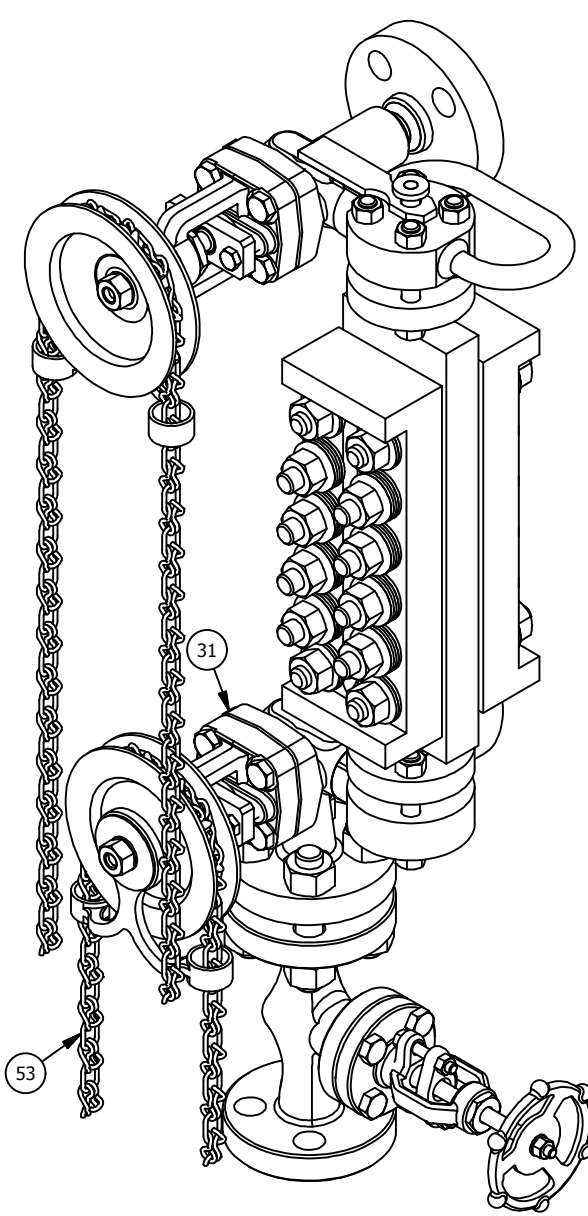
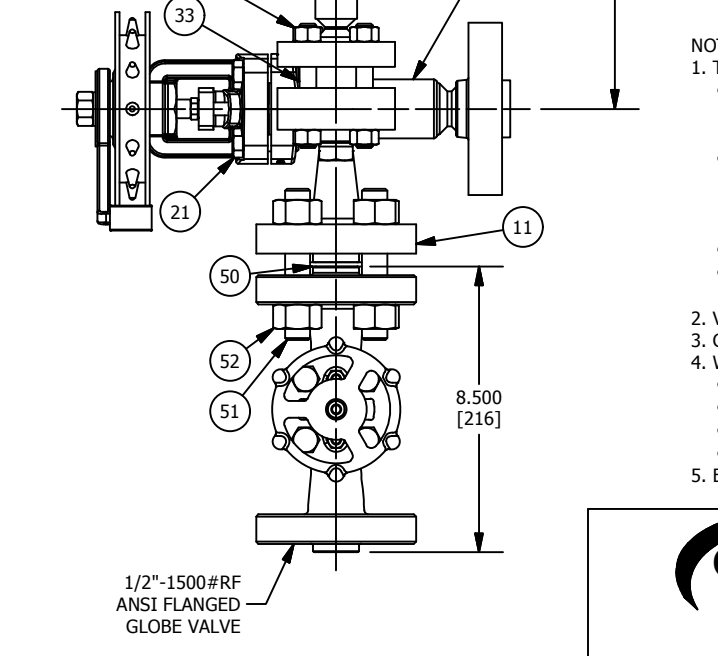
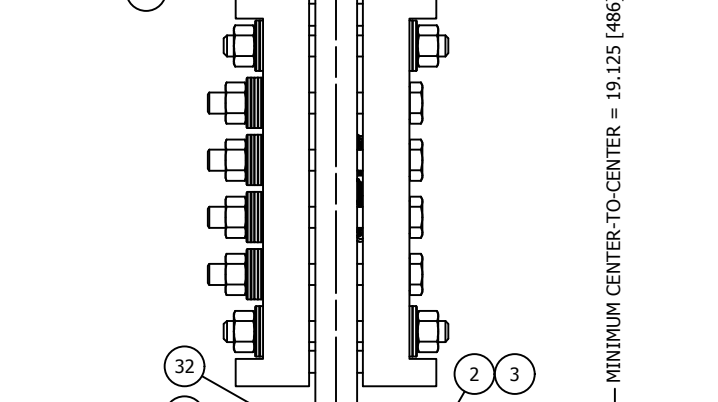
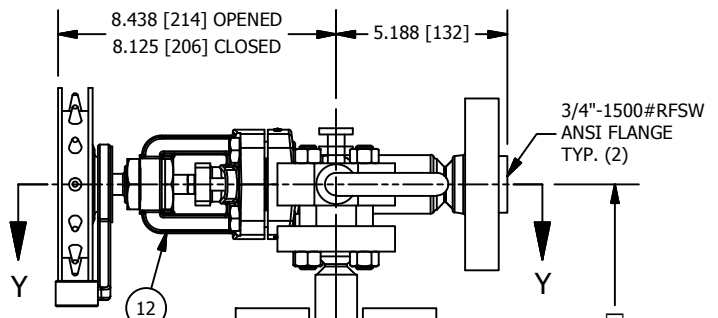
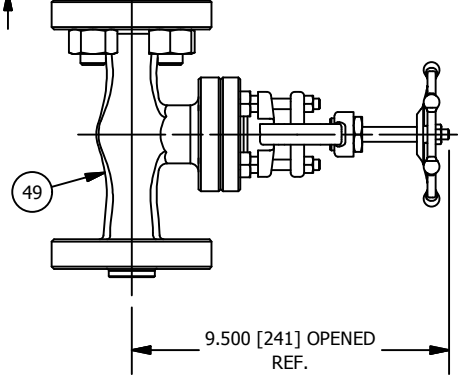
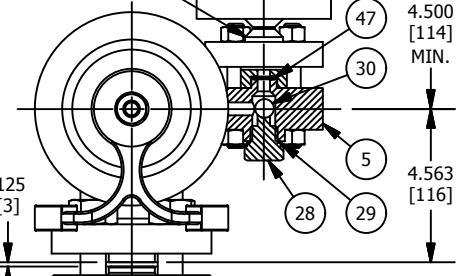
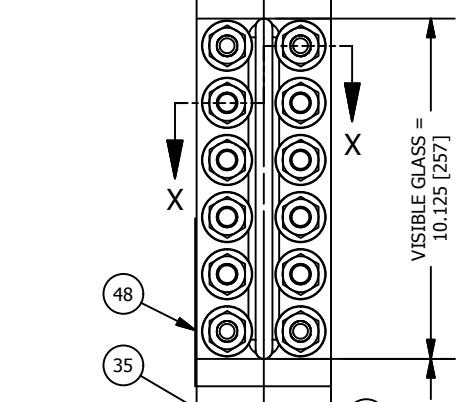
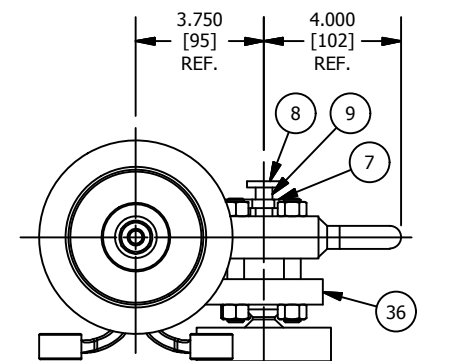


SECTION X-X



SECTION Y-Y



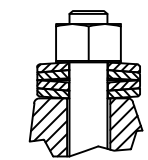
LEFT HAND (LH) GAGE/VALVE ASSEMBLY

RIGHT HAND (RH) GAGE/VALVE ASSEMBLY

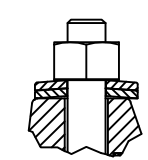
- NOTES:
- TO ORDER, SPECIFY:
 - "SG-1016B"
 - "SG" PREFIX = COMPLETE ASSEMBLY = GAGE, VALVE SET AND DRAIN VALVE
 - FOR GAGE ONLY, OMIT "SG" AND SPECIFY "1016B" AND EXISTING VALVE CENTERS
 - VALVE SET MODEL
 - "7325B-4" (3/4"-1500#RFSW TANK CONNS.)
 - OPTIONAL TANK CONNS. AVAILABLE ON REQUEST
 - 7325B-4 WILL BE SUPPLIED IF VALVE SET MODEL OR OPTIONAL TANK CONNS. ARE OMITTED
 - VALVE CENTER-TO-CENTER
 - LEFT HAND (LH) OR RIGHT HAND (RH) GAGE/VALVE ASSEMBLY
 - LH IF OMITTED
 - VALVE HANDCHAIN SUPPLIED (HOT GALVANIZED LOCK LINK; TWO PIECES, 10 FEET LONG EACH)
 - GAGE HYDRO-TESTED @ 2400 PSI; VALVES HYDRO-TESTED @ 3750 PSI
 - WEIGHTS (APPROX.):
 - GAGE = 62#
 - TOP VALVE = 18#
 - BOTTOM VALVE = 23#
 - DRAIN VALVE = 15#
 - EQUIPMENT SHOWN MEETS ASME CODE AND ABS REGULATIONS

BILL OF MATERIAL					
NO.	NAME OF PART	QTY.	MATERIAL	PART NO.	SPECIFICATION
1	TOP VALVE BODY	1	CARBON STEEL	L1124 A5	A105
2	BOTTOM VALVE BODY RH	1	CARBON STEEL	L848 A5	A105
3	BOTTOM VALVE BODY LH	1	CARBON STEEL	L849 A5	A105
4	TOP GAGE CONNECTION	1	CARBON STEEL	V11313 B	A108
5	BOTTOM GAGE CONNECTION	1	CARBON STEEL	V11314 B	A108
6	EXPANSION LOOP	1	CARBON STEEL	V11310 A46	A106 GR.B
7	SUPPORT BRACKET	1	CARBON STEEL	V11311 A6	A36
8	WELDING CAP	1	CARBON STEEL	P3968 A6	A108 GR.C1018
9	PIN	1	CARBON STEEL	V11315 A6	A108 GR.C1018
10	3/4"-1500#RFSW FLG	2	CARBON STEEL	FA5 15 1 3D1P	A105
11	1/2"-1500#RF FLG	1	CARBON STEEL	V8946U A6	A108
12	YOKE	2	CARBON STEEL	L220 B	A105
13	VALVE STEM	2	416SS	V15889 U	QQ-S-763
14	VALVE SEAT	2	416SS TREATED	P343 U3	QQ-S-763
15	VALVE SEAT GASKET	2	CARBON STEEL	P33 1 A1	
16	PACKING	24	GRAPHITE	G264	
17	PACKING GLAND	2	CARBON STEEL	V18257 4 AL4	A36
18	BUSHING	2	BRASS	P5946 F4	B16 GR.360
19	BUSHING NUT	2	CARBON STEEL	P5665 A6	A108 GR.C1018
20	SPIRAL GASKET	2	316/CHLOROCARB	P5643 T	
21	CAP SCREW	8	CARBON STEEL	P6475 B71	A193 GR.B7
22	CAP SCREW	4	CARBON STEEL	P5729 B71	A193 GR.B7
23	SPROCKET RIM	2	ALUMINUM	V5237 E8	QQ-A-601
24	VALVE STEM NUT	2	CARBON STEEL	P1866 2HA	A194 GR.2H
25	SPACER WASHER	2	CARBON STEEL	P5457 A	
26	CHAIN GUIDE	2	ALUMINUM	PD247 2 E8	QQ-A-601
27	RETAINING WASHER	2	304SS	P4917 R	
28	BALL HOLDER	1	CARBON STEEL	V10627 A6	A108
29	BALL HOLDER GASKET	1	304SS/FLEXCARB	V9864	
30	BALL CHECK	1	316SS	P1 T2	QQ-S-763
31	NAME PLATE	2	BRASS	P6211 F	
32	NUT	16	CARBON STEEL	P235 2 2HA	A194 GR.2H
33	STUD	8	CARBON STEEL	P4008 3 B71	A193 GR.B7
34	CHAMBER	1	CARBON STEEL	V12370U A6	A108 GR.C1018
35	FLANGED NIPPLE	2	CARBON STEEL	V12369 A6	A108 GR.C1018
36	LOOSE FLANGE	2	CARBON STEEL	V8382 A6	A108
37	GASKET	2	GRAFOIL	V13488 7	
38	SHIELD, MICA	2	MICA	P8092 7	
39	GLASS, TRANSPARENT	2	HP BOROSILICATE	V16758 7	
40	CUSHION	2	IFG5500	V19087 7	
41	COVER	2	CARBON STEEL	V12367 AL4	A115
42	STUD	4	CARBON STEEL	P3998 5 B71	A193 GR.B7
43	BOLT	8	CARBON STEEL	V20599 B71	A193 GR.B7
44	SPRING WASHER	48	SPRING STEEL	V15697 J1	
45	NUT	16	CARBON STEEL	P8366 2HA	A194 GR.2H
46	WELDING PLUG	1	CARBON STEEL	P7612 A6	A108 GR.C1018
47	SPIRAL GASKET	2	304/CHLOROCARB	P5198	
48	NAME PLATE	1	BRASS	P7566 F	
49	DRAIN VALVE	1	CARBON STEEL	A16775	
50	SPIRAL GASKET	1	316/FLEXICARB	P3958 TL	
51	STUD	4	CARBON STEEL	P4756 4 B71	A193 GR.B7
52	NUT	8	CARBON STEEL	P3596 2HA	A194 GR.2H
53	HANDCHAIN	2	SEE NOTE 2	P3924	

DETAIL OF SPRING WASHER STACKS



SPRING WASHER STACK UNDER EACH BOLT NUT



SPRING WASHER STACK UNDER EACH STUD NUT

MANUFACTURED BY
Clark-Reliance®
 16633 FOLTZ PARKWAY
 STRONGSVILLE, OH 44149 USA
 (440) 572-1500 | www.clarkreliance.com
 © Clark-Reliance® Corporation. All Rights Reserved.

JERGUSON®
 #1016B BOILER WATER
 GAGE/VALVE ASSEMBLY FOR 1600# W.S.P.

PART NUMBER: SG1016B		
TOLERANCE CLASS (PER PES-004): C		
MATERIAL:		
REVISION: 8 PER CDC 16-424/ZRR		
DRAWN: ZRR	DRAWING NO.:	REV.:
CHECKED: MK	SG-1016B	8
DATE: 9/16/2016		