

RFQ and Purchase Order Specification Work Sheets

Section: R406.007
 Date: 11-1-2011
 Supersedes: NEW
 Page 1

P4100 Series Simpliports

REV	DATE	DESCRIPTION	PART STA.	MATERIAL SPEC.	QTY.	QTY. REQ.
1		ROOF MOUNT ASSEMBLY				
2		MIDDLE CAP	26-34	STN. STL.	1	1
3		SCALE SUPPORT	26-35	STN. STL.	1	1
4		BACK RING	26-36	STN. STL.	1	1
5		SCALE GASKET	26-37	GASK.	1	1
6		EXPAN. GASKET	26-38	GASK.	1	1
7		EXPAN. RING	26-39	STN. STL.	1	1
8		EXPAN. RING	26-40	STN. STL.	1	1
9		EXPAN. RING	26-41	STN. STL.	1	1
10		EXPAN. RING	26-42	STN. STL.	1	1
11		EXPAN. RING	26-43	STN. STL.	1	1
12		EXPAN. RING	26-44	STN. STL.	1	1
13		EXPAN. RING	26-45	STN. STL.	1	1
14		EXPAN. RING	26-46	STN. STL.	1	1
15		EXPAN. RING	26-47	STN. STL.	1	1
16		EXPAN. RING	26-48	STN. STL.	1	1
17		EXPAN. RING	26-49	STN. STL.	1	1
18		EXPAN. RING	26-50	STN. STL.	1	1

DIMENSION CHART - STANDARD SIZES												TO BE SPECIFIED BY CUSTOMER		
SIMPLIPORT PART NO.	NO. OF WINDOW UNITS	VISION A		MIN. WATER GAUGE CENTER TO 5077 VALVES C		BODY D		E		G (MINIMUM)		SIMPLIPORT PART NO.	C	G
		INCHES	MM	INCHES	MM	INCHES	MM	INCHES	MM	INCHES	MM			
P4100	5	10 1/4	(260.3mm)	19 3/8	(479.4mm)	11 7/8	(301.6mm)	12 3/4	(322.9mm)	6 15/16	(176.2mm)			
P4101	6	12 5/8	(320.7mm)	21 1/4	(539.8mm)	14 1/4	(365.0mm)	15 1/4	(391.2mm)	8 1/8	(205.4mm)			
P4102	7	15	(381mm)	23 5/8	(600.1mm)	16 5/8	(428.2mm)	17 1/2	(444.5mm)	9 3/4	(236.4mm)			
P4103	8	17 3/8	(441.3mm)	25	(635.0mm)	19	(482.6mm)	19 7/8	(504.9mm)	11 1/2	(292.7mm)			
P4104	9	19 3/4	(498.1mm)	28 3/8	(725.7mm)	21 3/8	(545.1mm)	22 1/4	(569.5mm)	11 11/16	(298.9mm)			
P4105	10	22 1/8	(565mm)	30 3/4	(780.6mm)	23 3/4	(603.5mm)	24 5/8	(625.5mm)	12 7/8	(327.0mm)			

NOTES:

- * TO COMPLETE PART NO. ADD NO. OF WINDOW UNITS
- ** ITEMS 2 THRU 10 FORM ONE COMPLETE ASSEMBLY OF SINGLE WINDOW UNIT
- ITEMS 2 THRU 7 COMPRISE A REPLACEMENT PACKAGE INCLUDING THE MODULE. TO BE ORDERED AS PART NO. PW-87B (SEE EXPLODED VIEW)
- ITEMS 8 THRU 10 COMPRISE A PACKING NUT ASSEMBLY. TO BE ORDERED AS PART NO. PW-68 (SEE EXPLODED VIEW)

ITEM	PART NO.	DWG. NO.
SIMPLIPORT ILLUMINATORS		
STANDARD	P1W	B-9131
WEATHERPROOF	P1WV	B-9133
LED ILLUMINATOR / EXPROOF.	SH LED	PS7231-A
SIMPLIPORT FINISHES		
OPEN-END WEATHERPROOF	PH01W	L-15-62
BURST-RESISTANT WEATHERPROOF	PH01WV	B-10549
WEATHERPROOF	PH01W4	B-9132
LED WEATHERPROOF	SH LED	PS7231-A

SECTION A-A
EXPLODED VIEW OF SINGLE WINDOW UNIT

FIGURE A
FOR FLANGE CONNECTION (3000 PSI MAX)

PLEASE SELECT ARRANGEMENT REQUIRED

NOTE: FOR ARRANGEMENTS #3 & #4, CONSULT FACTORY FOR MIN. CENTERS

PATENT NO. 3,187,573
 DESIGN PRESSURE: 3000 PSI
 DESIGN TEMPERATURE: 65°F
 HYDROTEST AT 4500 PSI

REV	DATE	DESCRIPTION	BY	ST
2	9/25/10	UPDATED LOOP & CONNECTOR FOR ILLUMINATION CLEARANCE (PW-29 & PW-28)		ST

MANUFACTURED BY Clark-Reliance® 16633 FOLTZ PARKWAY STRONGSVILLE, OH 44149 USA PH: 440-572-1500 WEB: www.clark-reliance.com	CLARK-RELIANCE® SIMPLIPORT P41** SERIES GAGE ASSEMBLY W/ EXPANSION LOOP & FLANGED CONNECTIONS	PART NUMBER: P41111 TOLERANCE CLASS (PER PES-004) MATERIAL: SEE INDIVIDUAL PART DRAWINGS REVISION: DRAWING: CM CHECKED: PS1491-A DATE: 4/29/09
---	---	--

Please complete all information fields in this worksheet and submit with your RFQ (Request For Quote) or Purchase Order. The use of these worksheets has proven to greatly decrease Engineering time and virtually eliminate specification errors.



**Must accompany P.O with all fields
completed**

Customer: _____
Address: _____
Contact Name: _____
Phone No.: _____
E-mail: _____

Date: _____
P.O. No.: _____
Quote Ref.: _____
On Site Req'd.: _____
Other Info.: _____

REQUIRED INFORMATION

Design Pressure: _____
Design Temperature: _____
Visibility Required: _____
Model No.: _____

Water Gage Valve Connection: ½"-2500 RTJ Flange is standard
Flange Specification (other than standard): _____
Flange Size: _____
Flange Class _____
Flange Face: _____

P4100 Series: Dimension Chart-Standard Sizes 0-3000 PSI (206 Bar)

Simpliport Model No.	# of Ports	Vision A inches (mm)	Min. Centers B inches (mm)	Body D inches (mm)	Min. G inches (mm)
P4105	5	10.25 (260)	21.63 (549)	11.88 (301)	9.19 (234)
P4106	6	12.62 (320)	24.00 (610)	14.25 (362)	10.38 (264)
P4107	7	15.00 (380)	26.38 (670)	16.62 (422)	11.56 (294)
P4108	8	17.38 (441)	28.75 (730)	19.00 (482)	12.75 (324)
P4109	9	19.75 (501)	31.13 (790)	21.38 (543)	13.94 (354)
P4110	10	22.12 (562)	33.50 (850)	23.75 (603)	15.12 (384)

P4100 Series: Multi-Section Sizes 0-3000 PSI (206 Bar)

P4111	11	25.50 (650)	36.87 (937)	27.12 (688)	16.81 (427)
P4112	12	27.88 (708)	39.25 (997)	29.50 (749)	18.00 (457)
P4113	13	30.25 (768)	41.63 (1057)	31.88 (809)	19.19 (487)
P4114	14	32.62 (828)	44.00 (1117)	34.25 (869)	20.38 (517)
P4115	15	35.00 (885)	46.38 (1177)	36.62 (930)	21.56 (547)
P4116	16	37.38 (949)	48.75 (1237)	39.00 (990)	22.75 (577)
P4117	17	39.75 (1009)	51.13 (1297)	41.38 (1051)	23.94 (607)
P4118	18	42.12 (1069)	53.50 (1357)	43.75 (1111)	25.12 (637)
P4119	19	44.50 (1130)	55.87 (1417)	46.12 (1171)	26.31 (667)
P4120	20	46.88 (1190)	58.25 (1477)	48.50 (1231)	27.50 (697)
P4121	21	50.12 (1273)	61.63 (1565)	51.88 (1317)	29.19 (741)
P4122	22	52.62 (1336)	64.00 (1625)	54.25 (1377)	30.38 (771)
P4123	23	55.00 (1397)	66.37 (1685)	56.62 (1438)	31.56 (801)
P4124	24	57.38 (1457)	68.75 (1745)	59.00 (1498)	32.75 (831)
P4125	25	59.75 (1517)	71.13 (1805)	61.38 (1559)	33.94 (861)
P4126	26	62.12 (1577)	73.50 (1865)	63.75 (1619)	35.12 (891)
P4127	27	64.50 (1638)	75.87 (1925)	66.12 (1679)	36.31 (921)
P4128	28	66.88 (1698)	78.25 (1985)	68.50 (1739)	37.50 (951)
P4129	29	69.25 (1758)	80.63 (2045)	70.88 (1800)	38.69 (981)
P4130	30	71.62 (1819)	83.00 (2105)	73.25 (1860)	39.88 (1011)

Note: Consult factory if smaller minimum centers, non-standard flanges or other special items are required.

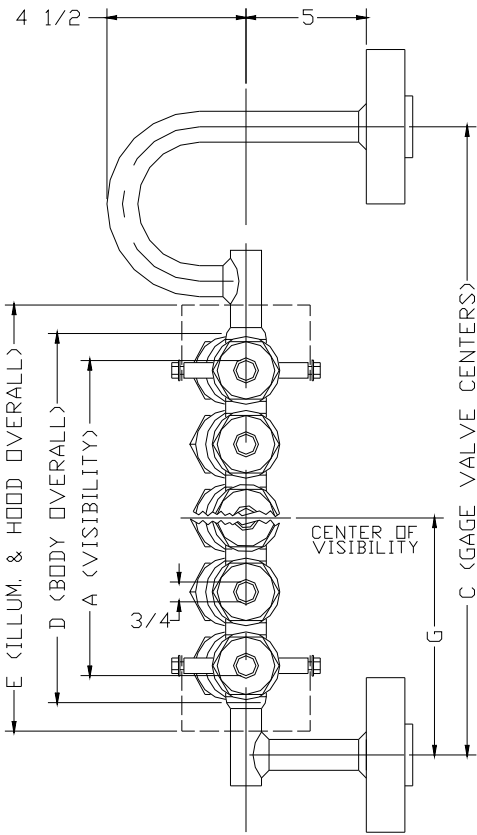
Note to Specifier: The three most important dimensions are: A, B, G and the Viewing Arrangement.

ILLUMINATION REQUIREMENTS

Power Requirements: 120 VAC 240 VAC
Area Classification: Ordinary (non-hazardous)
 Hazardous – Specify: _____

Simpliport 180 Wide Angle LED Illumination
Simpliport LED Illumination (Hazardous Areas – 120 VAC)
Simpliport LED Illumination (Hazardous Areas – 240 VAC)
Optional Mirrors (specify) _____

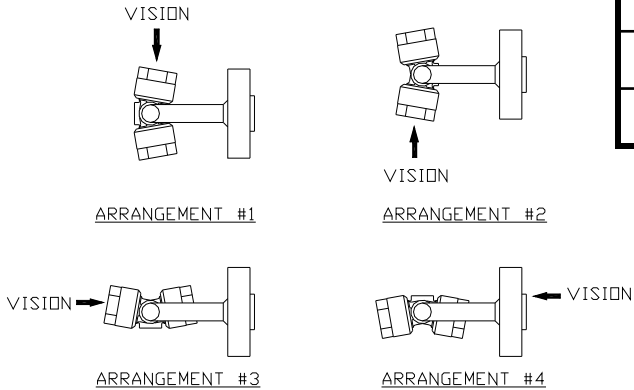
Note: Section I of the ASME Code requires that ported type gages must be fitted with proper illumination to provide visual discrimination between water and steam.



Dimensions Required	
"A" (VISIBILITY):	
"C" (WATER GAGE VALVE CENTERS):	
"G" (CENTER OF VISIBILITY):	

Note: Consult factory if smaller minimum centers, non-standard flanges or other special items are required

Top View Orientation



Gage Orientation Required	
SELECT ARRANGEMENT REQUIRED:	
Note: if other please sketch below	



Additional notes:
