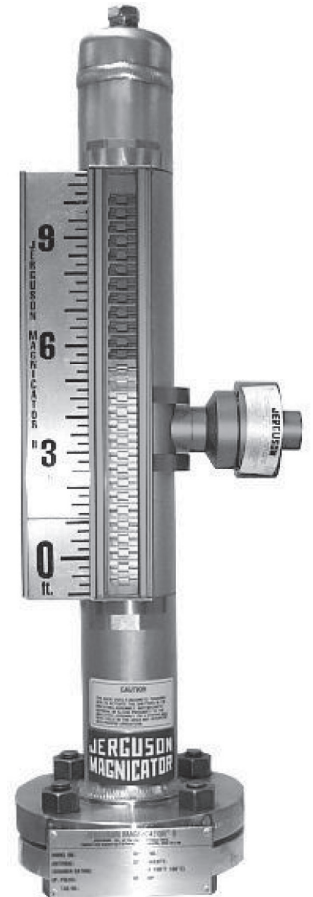


- Easy Installation – *Externally Clamps to Magnicator II Gage Chamber*
- Snap-Action Latching Switch
- Externally Mounted – *No Contact with Fluid Process*
- Fully Adjustable Switch Position
- Highly Resistant to Vibration
- Trouble-Free & Repeatable

*new technology featuring*  
**Positive Snap-Action**  
**NO Springs**  
**NO Cams !!**

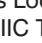


Model SAS-16



- This switch can carry a full 16 Amp load to directly control pumps, valves, alarms or other process equipment. Unlike capacitance, conductivity or ultrasonic switches, no power source is required to drive any additional electronic circuitry.
- Standard enclosure material – anodized aluminum (stainless steel enclosure available).
- Available with Junction Box and Terminal Strip.



Rated 120 VAC, 16 Amp Current Load, SPDT  
Maximum 300 VAC, 10 Amp Current Load  
Maximum 240 VDC, 10 Amp Current Load  
UL/CUL Approved for Hazardous Locations - Class I, Div. 1, Groups A, B, C & D  
ATEX Approved -  II 2 G Ex d IIC T5  
NEMA 4 Watertight



**Liquid Gages & Valves for the  
Power and Process Industries**

**JERGUSON®**  
A PRODUCT OF CLARK-RELIANCE

16633 Foltz Parkway • Strongsville, OH 44149 USA  
Telephone: (440) 572-1500 • Fax: (440) 238-8828  
sales@clark-reliance.com • www.clark-reliance.com

# Magnicator® II Point Level Switch • Model SAS-16 Switch

## Principle of Operation




The switch mechanism is based on a unique JERGUSON three-dimensional magnet design where the snap action is accomplished by the utilization of magnetic repulsion. The magnet mounted in the float causes the secondary magnet to rotate as it passes up and down. The switch magnet is repelled by the secondary and snaps to the opposite side. This causes the cradle to pivot, moving the push rod which operates the switch contacts.

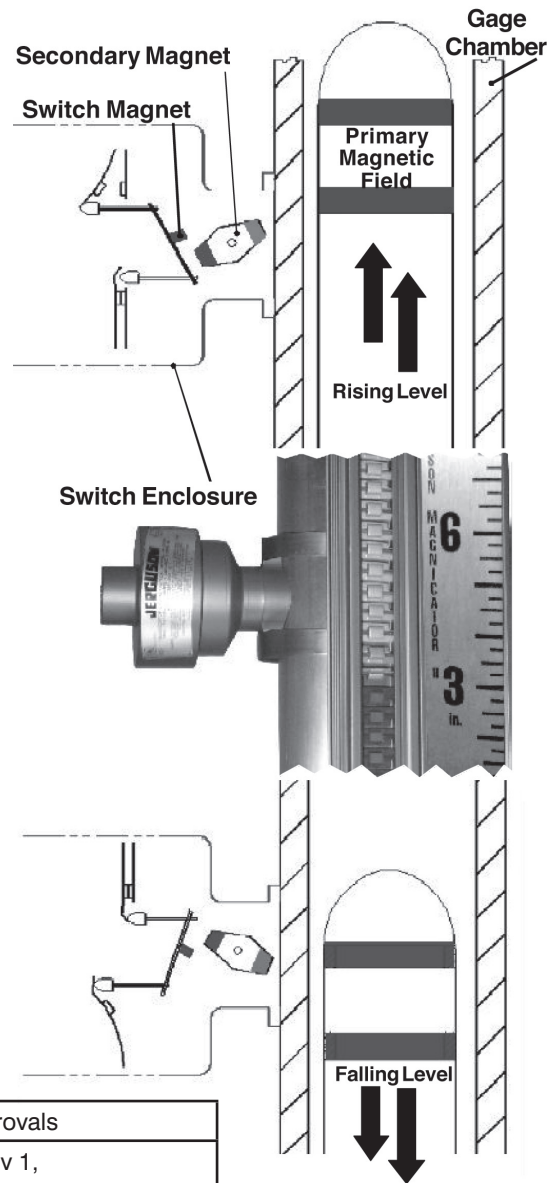
**The result is positive snap action interlock switching – no springs...no cams...no problems.**

## Model SAS-16 Specification

Maximum Current: 10 amps @ 300 VAC  
 10 amps @ 240 VDC  
 Contacts: SPDT

## Ordering Information

Part #	Description	Approvals
A25669	SAS-16 Switch, Aluminum Housing, Flying Leads	UL/CUL Class I, Div 1, Groups A, B, C, D
A26044	SAS-16 Switch, Aluminum Housing, with Terminal Block Enclosure	Switch: UL/CUL TB Enclosure: FM/CFM Class I, Div 1, Groups B, C, D
S-22863	Spare Terminal Block Enclosure	FM/CFM Class I, Div 1, Groups B, C, D
A25669-CE	SAS-16 Switch, AR Housing, Flying Leads	ATEX  II 2 G Ex d IIC T5
A26044-CE	SAS-16 Switch, AR Housing, with Terminal Block Enclosure	ATEX  II 2 G Ex d IIC T5
A26617-CE	SAS-16 Switch, AR Housing, Flying Leads, Gold Contacts	ATEX  II 2 G Ex d IIC T5
A25669-T	SA6-16 Switch, 316/316L SS Housing, Flying Leads	UL/CUL Class I, Div 1, Groups A, B, C, D



# JERGUSON®

A PRODUCT OF CLARK-RELIANCE

16633 Foltz Parkway • Strongsville, OH 44149 USA  
 Telephone: (440) 572-1500 • Fax: (440) 238-8828  
 sales@clark-reliance.com • www.clark-reliance.com