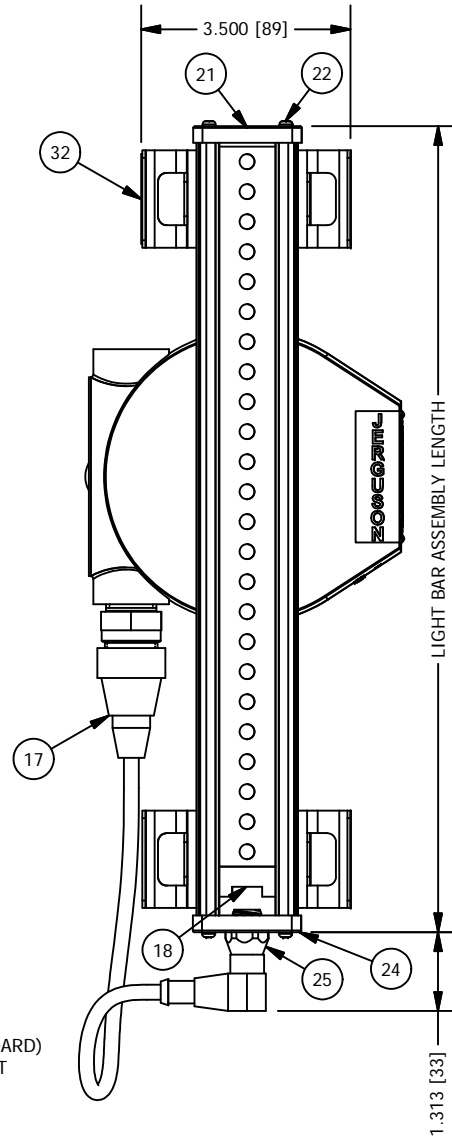
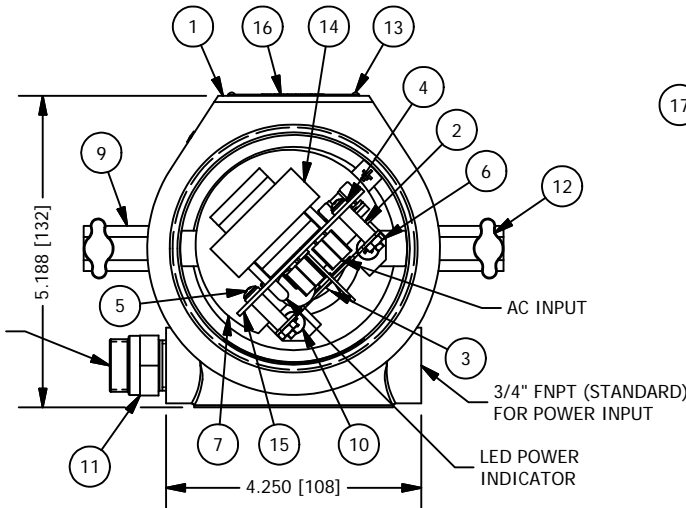
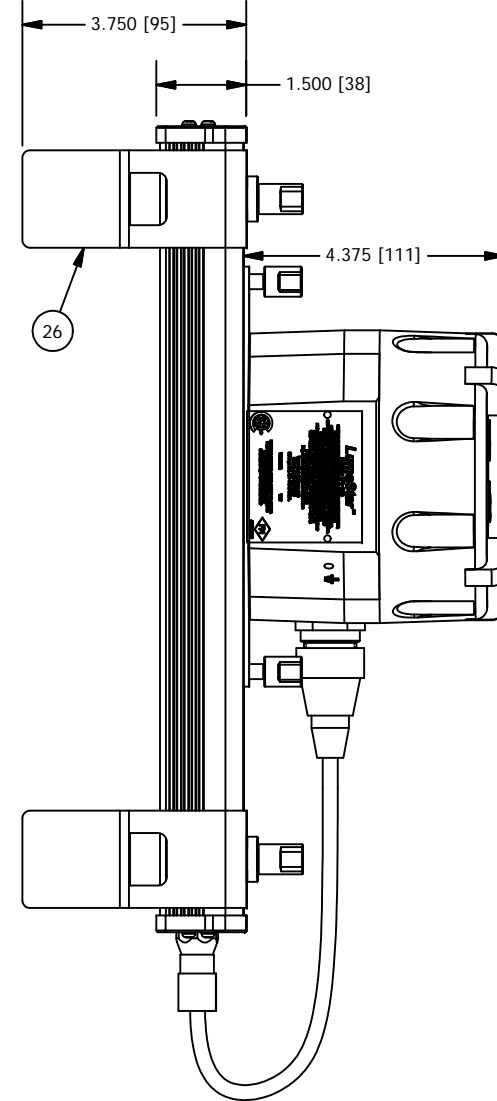


SECTION VIEW OF LIGHT STRIP MOUNTED TO TRANSPARENT GAGE. (POWER SUPPLY NOT SHOWN)



LIGHT BAR ASSEMBLY LENGTH



DC OUTPUT CONNECTOR, AC INPUT, 3/4" FNPT (STANDARD) FOR POWER INPUT, LED POWER INDICATOR

MODEL NUMBER DESIGNATION

EPL-100-9-1-1-1-
LUMASTAR MODEL EPL-100
 115 OR 230 VAC, 50/60 Hz
 NEMA 4, 4x
GAGE WINDOW SIZE
 SERIES 20 (1 THRU 9)
 SERIES 300L (11,12,13,15,18,20)
PREWIRED TERMINAL CONNECTIONS
 1 = FM APPROVED, 115 VAC, 50/60 Hz
 2 = FM APPROVED, 230 VAC, 50/60 Hz
 3 = ATEX APPROVED, 115 VAC, 50/60 Hz
 4 = ATEX APPROVED, 230 VAC, 50/60 Hz
DAISY CHAINED/REMOTE
 BLANK = STANDARD
 D = DAISY CHAIN
 -FOR MULTIPLE SINGLE SECTIONS WITH ARMORED CABLE, CONSULT FACTORY FOR MAXIMUM LENGTHS AND NUMBER OF SECTIONS
 R = REMOTE MOUNT POWER SUPPLY
 -STANDARD FOR SINGLE SECTION SIZE 7 OR SMALLER
MOUNTING BRACKETS
 1 = UNIVERSAL MOUNTING BRACKET FOR COVER PLATES UP TO 3-1/2" IN WIDTH. USED FOR ALL JERGUSON SERIES 20/30/32/L10/300L/5/12/18 AND COMPETITIVE L/M/H SERIES GAGES
 4 = SERIES 20/32 CS COVERS w/ NON-FROST EXT.
 5 = SERIES 20/32 SS COVERS w/ NON-FROST EXT.
 6 = JERGUSON 900# BOILER GAGE
 7 = RELIANCE FG450/900 GAGE
 8 = RELIANCE FG1500 GAGE
 9 = SERIES 40/1100#-1600# BOILER GAGES
 11 = JOGLER GAGE
 12 = REFLEX GAGE

SPECIFICATIONS

POWER SUPPLY: 115 OR 230 VAC @ 50-60Hz
 POWER CONSUMPTION: <250mA @ 115/230 VAC DURING NORMAL OPERATION, UP TO 400mA MAX @ 115/230 VAC
 ESTIMATED LIFE: 100,000 HOURS (CONTINUOUS)
 AGENCY APPROVALS: FM AND CSA APPROVALS
 POWER SUPPLY CLASS I, DIV 1, GRPS. B, C & D, T4
 INTRINSIC SAFETY CLASS II, DIV 1, GRPS. E, F & G, T4
 ATEX APPROVALS
 POWER SUPPLY Ex II 2(2) G Ex d (ia) IIC T6
 INTRINSIC SAFETY Ex II 2 G Ex ia IIC T4
 WIRE SIZE: MINIMUM 18 AWG / MAXIMUM 12 AWG
 AMBIENT TEMP.: -40°F (-40°C) TO 170°F (77°C)
 MAXIMUM DISTANCE FROM POWER SUPPLY TO LIGHT STRIP: 72 FEET / 22 METERS
 ELECTRICAL CONNECTION: 3/4" FNPT
 REFER TO THE FOLLOWING (FOR):
 - CATALOG BULLETIN J100.32 (ADDITIONAL INFORMATION)
 - IOM BULLETIN J500.32 (INSTRUCTIONS - INCLUDING WIRING)
 - IOM BULLETIN J500.33 (ATEX INSTRUCTIONS - INCLUDING WIRING)
 - PRICE SHEET BULLETIN J800.18

DIMENSIONS IN INCHES w/ mm EQUIVALENT IN BRACKETS

BILL OF MATERIAL: EPL-100-9-1-1-1

NO.	NAME OF PART	QTY.	MATERIAL	PART NO.	REMARKS
1	ENCLOSURE	1	ALUMINUM	V20815	
2	SPACER, NYLON 11/16"	2	NYLON	X175554	
3	STANDOFF	1	NYLON	E STANDOFF 5/8	
4	WASHER	2	NYLON	X175560	
5	SCREW, MACHINE	2	18-8SS	X173334	
6	NUT, HEX	2	STAINLESS STEEL	X173342	
7	FISH PAPER	1	-	V20716	
8	SCREW, MACHINE	2	18-8SS	X173062	NOT SHOWN
9	T-RAIL	1	ALUMINUM	V20778 E6 ANN	
10	SCREW, MACHINE	2	STAINLESS STEEL	X172633	
11	RECEPTICAL	1	-	V20603	
12	THUMB SCREW, .625" LONG	2	ALUMINUM	V20764 E6 ANN	
13	SCREW, DRIVE	2	18-8SS	P1654 P	
14	POWER SUPPLY, 115V *	1	-	TA 4836	SHOWN
	POWER SUPPLY, 230V *	-	-	TA 4836 240	
15	BRACKET, POWER SUPPLY	1	ALUMINUM	TA 4855 R	
16	LABEL, POWER SUPPLY	1	ALUMINUM	V20484 E	
17	CORD, 18" LONG STANDARD	1	-	V20509	
18	CIRCUIT BOARD END	1	-	S23174 END	
19	BOARD, LIGHT	1	-	S23174 12	SHOWN
	BOARD, LIGHT	-	-	S23174 10	
	BOARD, LIGHT	-	-	S23174 8	
	BOARD, LIGHT	-	-	S23174 6	
	BOARD, LIGHT	-	-	S23174 4	
20	GASKET, TOP	1	SILICONE	V20470	NOT SHOWN
21	END CAP, TOP	1	304SS	V20472 R	
22	SCREW, TORX	8	STAINLESS STEEL	X172716	
23	GASKET, BOTTOM	1	SILICONE	V20471	NOT SHOWN
24	END CAP, BOTTOM	1	304SS	V20473 R	
25	CONNECTOR, FEMALE	1	-	V20605	
26	BRACKET, UNIVERSAL	2	316/316LSS	V21423	
27	BOLT, UNIVERSAL BRACKET	2	STAINLESS STEEL	V21424 T	
28	NUT, THUMB	2	316/316LSS	V20997 T	
29	EXTRUSION	13.250 in	ALUMINUM	V20466 E7 ANN	
30	GLASS, INDICATOR	1	GLASS	V18973	
31	GASKET, GLASS	53.000 in	SILICONE	V20556	
32	TAG, EPL-100	1	316SS	V20487 E	

* OPTIONAL POWER SUPPLIES AVAILABLE WITH ATEX APPROVAL

GLASS SIZE	LIGHT BAR ASSEMBLY LENGTH				
	NUMBER OF SECTIONS				
	1	2	3	4	5
SERIES 20/32/300L					
1	5.41				
2	5.41				
3	7.41	15.41			
4	7.41	17.41			
5	9.41	19.41			
6	11.41	21.41	31.41		
7	11.41	23.41	35.41	47.41	59.41
8	13.41	27.41	39.41	53.41	
9	13.41	29.41	41.41	57.41	
SERIES 300L					
11	11.41	23.41	35.41	47.41	
12	13.41	25.41	39.41	51.41	
13	13.41	27.41	41.41	55.41	
15	15.41	31.41	47.41		
18	19.41	37.41	57.41		
20	21.41	41.41			

SPARE PARTS	
PART NUMBER	DESCRIPTION
S24245	BRACKET, UNIVERSAL
S23293	115 VAC FM/ CSA POWER SUPPLY/BRACKET SUB-ASSEMBLY
S23294	230 VAC FM/ CSA POWER SUPPLY/BRACKET SUB-ASSEMBLY
S23213	115 VAC FM/ CSA POWER SUPPLY w/ EXPLOSION-PROOF ENCLOSURE
S23295	230 VAC FM/ CSA POWER SUPPLY w/ EXPLOSION-PROOF ENCLOSURE
S24287 115V	115 VAC ATEX POWER SUPPLY/BRACKET SUB-ASSEMBLY
S24287 230V	230 VAC ATEX POWER SUPPLY/BRACKET SUB-ASSEMBLY
S24196 EPL 115V	115 VAC ATEX POWER SUPPLY w/ EXPLOSION-PROOF ENCLOSURE
S24196 EPL 230V	230 VAC ATEX POWER SUPPLY w/ EXPLOSION-PROOF ENCLOSURE
V20509	18" CABLE w/ 90 DEGREE CONNECTOR
E F DIN F400MA	FUSE
S23174 4	LED ARRAY CIRCUIT BOARD (4 INCH)
S23174 6	LED ARRAY CIRCUIT BOARD (6 INCH)
S23174 8	LED ARRAY CIRCUIT BOARD (8 INCH)
S23174 10	LED ARRAY CIRCUIT BOARD (10 INCH)
S23174 12	LED ARRAY CIRCUIT BOARD (12 INCH)
V20601 6.5	6-1/2 FOOT (2.5 METER) EXTENSION POWER CORD (FOR REMOTE MOUNTING)
V19705 F	M20 METRIC ADAPTOR (3/4"MNPT x M20 FEMALE)

REV	DATE	REVISION	BY
3	7/12/2013	REDRAWN IN INVENTOR	SH
2	3/18/2008	UPDATED CORD LENGTH	SH
1	7/26/2007	UPDATED POWER SOURCE, ADDED DIMENSIONS	SH

MANUFACTURED BY
Clark-Reliance®
 16633 FOLTZ PARKWAY
 STRONGSVILLE, OH 44149 USA
 (440) 572-1500 | www.clarkreliance.com
 © Clark-Reliance® Corporation. All Rights Reserved.

JERGUSON®
EPL-100 LUMASTAR
 DRAWN: SH
 CHECKED: MK
 DATE: 7/12/2013
 REVISION: 3
 DRAWING NO.: **EPL-100**
 REV.: **3**