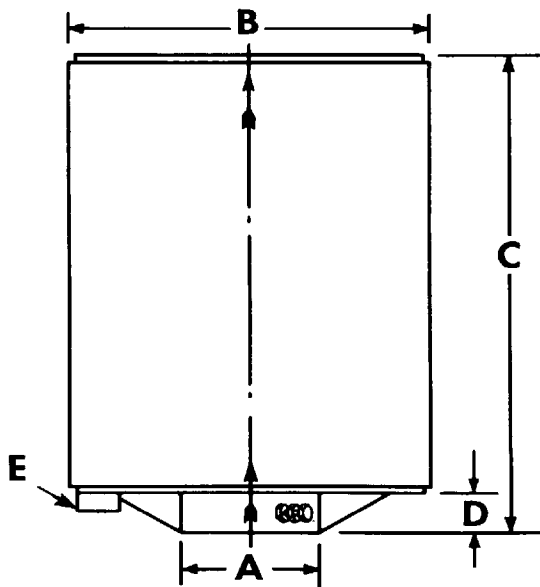
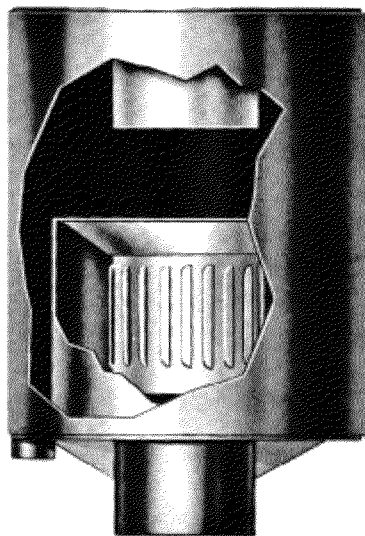


EH Fabricated Exhaust Heads For Industrial Stacks

Section: A100
 Bulletin: A100.81
 Date: 9/1/96
 Supersedes: 3/83



TYPE EH — FABRICATED

Anderson fabricated exhaust heads are the most efficient mechanical type separator for industrial stacks. They are used to clean up exhaust gases and vapors discharged to the atmosphere. These units clean up the vented vapors so that troublesome oil, process liquors and other entrainment which attack machinery or nearby buildings are eliminated.

The exhaust head has no moving parts or filters. The entrainment laden vapor entering the separator is engaged by a stationary centrifugal element which imparts a carefully controlled but extremely rapid

rotational scrubbing motion to the vapor. This action guides all dirt particles, oil and water outward to the wall of the separator. Here it is guided to and ejected out the drain. The clean, dry gas continues upward and is discharged to the atmosphere.

SPECIFICATIONS

Although fabricated to specification, standard models have a slip-on or flange connection for the stack and a threaded connection for the drain, fabricated steel body and stainless steel centrifugal element.

DIMENSIONS IN INCHES

TYPE EH EXHAUST HEAD

Nominal Size	2½	3	4	5	6	8	10	12	14	16	18	20	24	26	28	30	33	36
Nom. Pipe Size A	2½	3	4	5	6	8	10	12	14	16	18	20	24	26	28	30	33	36
DiameterB	13	13	13	17	18	22	26	30	32	36	40	44	50	53	56	60	65	70
LengthC	19	19	19	24	26	34	40	52	60	65	74	80	90	106	113	120	133	144
D	2	2	2	2	2	3	3	4	4	4	6	6	6	6	6	6	8	8
DrainE	1½	1½	1½	2	2	2	1½	2½	2½	2½	2½	2½	2½	2½	2½	2½	2½	2½

ANDERSON™ SEPARATOR COMPANY

A Division Of The Clark-Reliance Corporation

A S.M.E. CODE STAMPS



16633 FOLTZ INDUSTRIAL PARKWAY ■ STRONGSVILLE, OHIO 44136, U.S.A.
 PHONE: (440) 572-1500 ■ FAX: (440) 238-8828 ■ WWW.CLARK-RELIANCE.COM

