

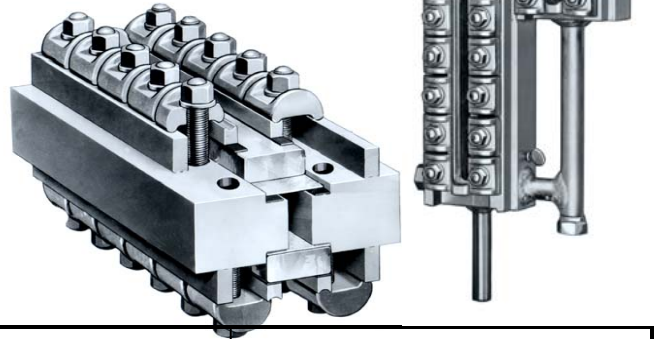
# Reliance®

A PRODUCT OF CLARK-RELIANCE

## TRANSPARENT FLAT GLASS GAGES ARE NOT ALL CREATED EQUAL

DESIGN PRESSURES UP TO 2000 psi

- Model FG400 - up to 450 psi
- Model FG900 - up to 900 psi
- Model FG1500 - up to 1500 psi
- Model FG2000 - up to 2000 psi



FEATURE	Reliance®	OTHERS	BENEFIT
Individual Finger Clamp Design	YES	NO	Provides superior uniform vertical loading of the glass
Overlapping Design for Multi-section Gages	YES	NO	Water level line (meniscus) is <u>always</u> visible. Meets ASME Section 1 Requirements
DuraStar LED Illuminators	YES	NO	10 Year Service Life, no heat, low energy use
Wide Body Design	YES	NO	Resists the effects of thermal expansion with steam service
Glass and Sealing Gasket Recessed into Body	YES	NO	Safety in performance and proper alignment during maintenance
Graphite Sealing Gaskets	YES	NO	Longer service life
Can be Provided as a Complete Trim Package - assembled "bridles" w/gages, valves and switches for direct mounting to the vessel	YES	NO	Only Reliance has the complete line of products, Code certified facilities and the "know-how" to get it right the first time!
"In-plant" Maintenance Training Seminars	YES	NO	Factory Trained Personnel
Over 125 Years Experience	YES	NO	Quality, reliability and technical expertise
ISO 9001 Certified	YES	?	Continuous commitment to quality - made in the U. S. A.
Plant Surveys - Sure Start Program	YES	NO	Improves plant safety and reliability. Nationwide repair services 24/7 - factory authorized and trained



16633 Foltz Parkway Strongsville, OH 44149  
 Phone (440) - 572-1500 Fax (440) 238-8828  
[www.clark-reliance.com](http://www.clark-reliance.com) [sales@clark-reliance.com](mailto:sales@clark-reliance.com)

# Reliance®

A PRODUCT OF CLARK-RELIANCE

## DRUM LEVEL INDICATORS ARE NOT ALL CREATED EQUAL

### Electro Eye-Hye Systems with STANDARD ECIL SERIES CONTROL UNITS

Complete System Includes: Control Unit, Electrolev Column and Indicator(s)

- EL450 Electrolev Columns (to 450 psi)
- EL1000 Electrolev Columns (to 1000 psi)
- EL1800 Electrolev Columns (to 1800 psi)
- ESB3000 Electrolev Columns (to 3000 psi)



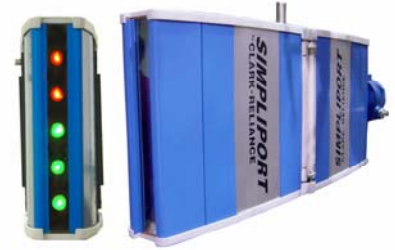
FEATURE	Reliance®	OTHERS	BENEFIT
Individually Powered Circuits for each probe, detection circuit and display driver	YES	NO	Unequaled security from short circuits or failures - "Multi-Path" !!
Expandable to Any Number of Points by Adding Single Channels	YES	NO	Versatile Design Allows User to Select the Number of Points required
Each Detection Circuit is Contained in Individual Plug-in Module Assembly	YES	NO	System Repairs and Diagnosis are Easily Performed
Accessories Simply "Plug-in" to Expansion Sockets and Snap Mount to DIN Rail	YES	NO	Upgrades to Units are Easily Made. Features can be Added as Needed.
Fault Detection Circuitry Operates "Off-line" From Main Detection & Control Circuits	YES	NO	No Potential for a Total System "Lock-up" Which Could go Undetected
Plug-in Terminal Connections for Attaching Field Wiring	YES	NO	Ease of Field Installation, Reduced Construction Time and Cost
Can be Provided as a "Complete" Trim Package. Bridle Assemblies with Gages, Valves, and Switches for Direct-To-Drum Mounting	YES	NO	Only Clark-Reliance has the Complete Line of Products, Code Certified Facilities and the "Know-How".
Over 125 Years Experience in Providing Boiler Trim Products	YES	NO	Experience....Experience...Knowledge !
Over 9000 Electro-Eye-Hye Systems in Service - World-wide	YES	NO	Proven Performance !
Brazed and Gasket-less Type Probes	Yes	?	Longer Service Life on Boilers with Frequent Cycling



16633 Foltz Parkway Strongsville, OH 44149  
 Phone (440) - 572-1500 Fax (440) 238-8828  
[www.clark-reliance.com](http://www.clark-reliance.com) [sales@clark-reliance.com](mailto:sales@clark-reliance.com)

# Reliance®

A PRODUCT OF CLARK-RELIANCE



## BI-COLOR WATER GAGE GLASSES ARE NOT ALL CREATED EQUAL

Now with Simpliport 180 Wide Angle LED Viewing System. See our Video at [www.Simpliport180.com](http://www.Simpliport180.com)

*DESIGN PRESSURES UP TO 3000 psi*

- P4000 Series - up to 1500 psi
- P4100 series - up to 3000 psi



FEATURE	Reliance®	OTHERS	BENEFIT
Single Packing Nut Designed to Retain Glass Module	YES	NO	Reduces maintenance time with fewer parts
Individually Welded Body Section Design	YES	NO	Permits individual window section repairs
Glass and Gasket Components Furnished as a Replacement Module	YES	NO	Easy servicing without any loose parts
Can be Provided as a Complete Trim Package - assembled "bridles" w/gages, valves and switches for direct mounting to the vessel	YES	NO	Only Reliance has the complete line of products, Code certified facilities and the "know-how" to get it right the first time!
"In-plant" Maintenance Training Seminars	YES	NO	Total aftermarket capabilities
Over 115 Years Experience	YES	NO	Quality, reliability and technical expertise
ISO 9001 Certified	YES	?	Continuous commitment to quality - made in the U.S.A.
Plant Surveys – Sure Start Program	YES	NO	Improves plant safety and reliability. Nationwide repair services 24/7 - factory authorized and trained
No Hot Torquing Needed	Yes	NO	Assures Reliability after Start-up
Wide Angle - 180 degree Viewing	Yes	NO	View Level from Extreme Angles



16633 Foltz Parkway Strongsville, OH 44149  
 Phone (440) - 572-1500 Fax (440) 238-8828  
[www.clark-reliance.com](http://www.clark-reliance.com) [sales@clark-reliance.com](mailto:sales@clark-reliance.com)